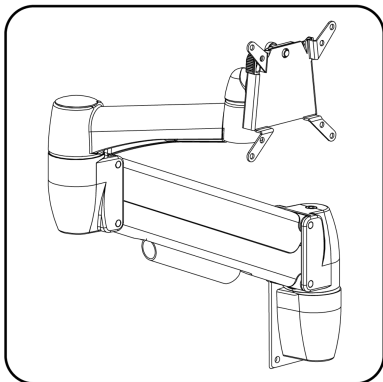


Space-Arm Wall Mount

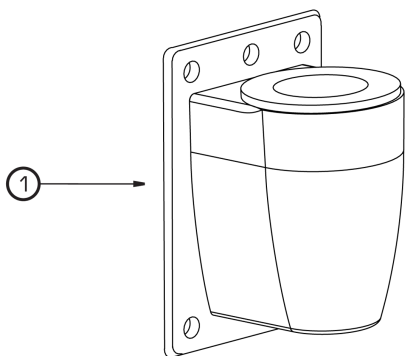
BNESPW



Required Tools:
5mm Allen Key
Fasteners & appropriate tools (Not Included)

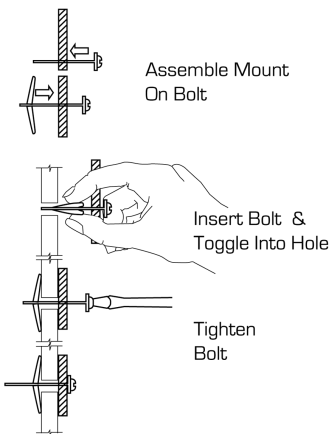
Contents:

#	QTY	Part Name
1	01	Wal Mount
2	08	Monitor Screws
3	04	Plastic Washer
4	01	Standard Space Arm

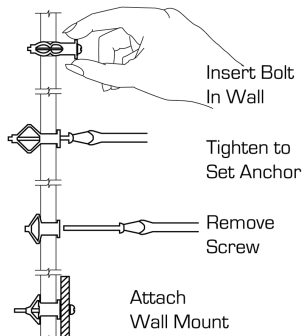


4 mounting options shown
*Mounting fasteners not included

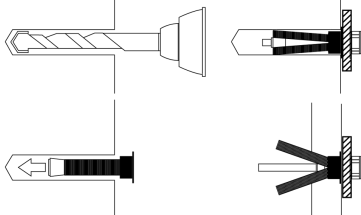
Mounting With Toggle Bolt



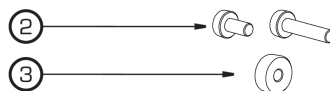
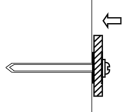
Mounting With Molly Bolt



Mounting With Sleeve Anchor



Mounting With Screw Into Hard Core Wall

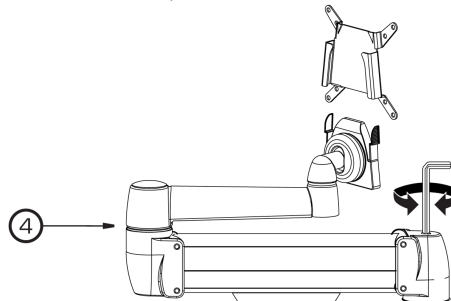


Monitor Mounting

Hardware package includes both short and long screws and plastic washers. The long screws & plastic washers should be used for recessed monitor mounts.

Adjusting Counter Balance

*Required Tool: 5mm Allen Wrench



Position Arm so it is parallel to desk surface. Turn bolt clock wise for lighter monitors.

Cable Routing

