



# Technical specifications



**Bakker  
Elkhuisen**

Filex Galaxy monitor arm



## Key features



90°Rotation stop



The gas spring of the Filex monitor arm can hold a screen weighing from 2 to 12 kg



Integrated cable management



Easily adjustable in height and depth



The Filex Galaxy series are patented



The VESA quick release is attached to the monitor with screws without additional tools.



Suitable for multiple screens



Simple mounting through VESA quick release for mounting of various screens

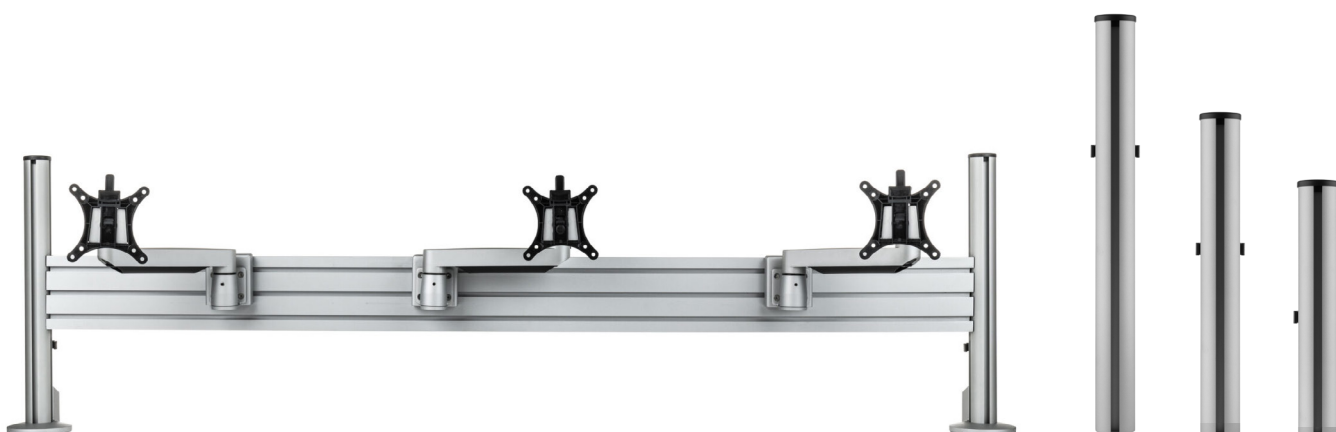


100 % recyclable and made of 98.8% sustainable materials



Including 5-year warranty

# Modular components



# Clamps overview

## 1. Filex Galaxy Desk Clamp

With the standard Filex Galaxy Desk clamp, you can mount the monitor arm on the desk in a neat and tidy way. The budget friendly, solid clamp can be used modularly.

## 2. Filex Galaxy Clamp incl. desk feed through

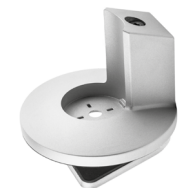
With this clamp, the Filex Galaxy monitor arm can be mounted on or through the desktop. The clamp has an integrated cable grommet. This clamp can be used directly with one of the Filex arm parts. The clamp cannot be extended.

## 3. Filex Galaxy Desk feed

The Filex Galaxy Desk through mount ensures neat and stable mounting at any desired location on the desktop. An ideal clamp if you cannot use a desk clamp. Architects find this a nice solution.

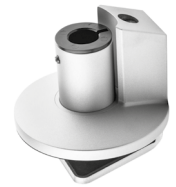
## 4. Filex Galaxy clamp topdown including feedthrough

The unique design of this top-down clamp allows it to be mounted easily, quickly and ergonomically from above rather than below the desk. The clever clamping technique allows the topdown clamp to be mounted on almost any type of desktop. Including sliding tops and tops with a facet. Even if there is a partition, you can easily slide the clamp to the place where you want it.



### 5. Filex Galaxy Desk clamp topdown incl. feedthrough + Filex Galaxy Adapter for leaf clamp topdown

The adapter is an addition to the topdown desk clamp and allows you to place an arm part on the clamp directly, without the use of a post. Only to be used in combination with a Filex Galaxy Desk clamp topdown incl. feedthrough. This adapter can also be used as desk through.



### 6. Filex Galaxy Clamp sliding desk

This Filex desk clamp is specially designed for desks with sliding tops, faceted tops, standard desks or desks with little space behind the desktop. And also for desktops with an integrated cable duct at the back. Always to be used in combination with a post!



### 7. Filex Galaxy Universal toolbar/ wall clamp

The Filex Galaxy Universal Toolbar / Wall Clamp is suitable for wall mounting and can be attached directly to the rail (toolbar) by means of the clamp function.



## 1. Filex Galaxy Desk Clamp

With the standard Filex Galaxy Desk clamp, you can mount the monitor arm on the desk in a neat and tidy way. The budget friendly, solid clamp can be used modularly.



BNEFG809450 - White

BNEFG809451 - Silver

BNEFG809452 - Black



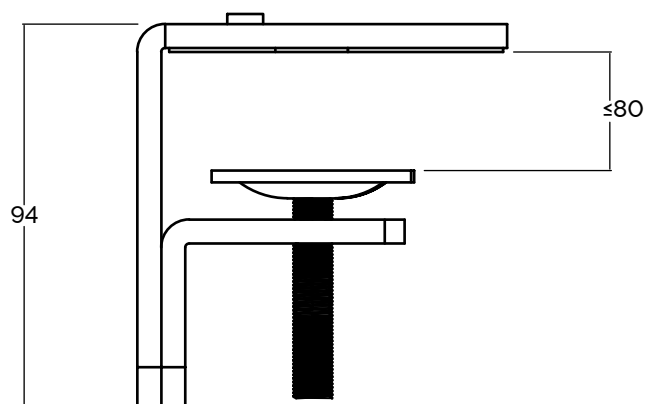
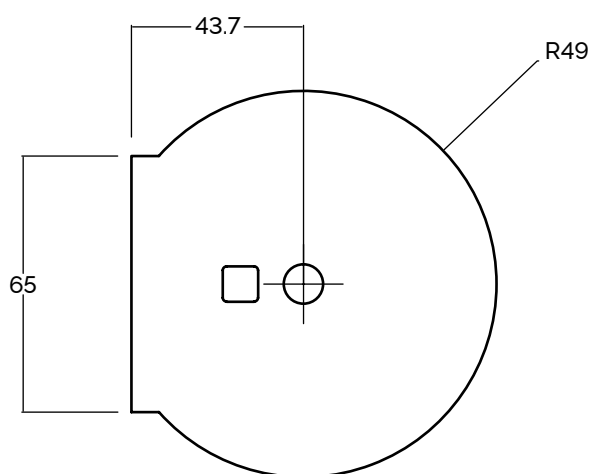
Clamping range

80mm



Mounting with

Allen key mechanism



Dimensions are in mm

## 2. Filex Galaxy Clamp incl. desk feed through

With this clamp, the Filex Galaxy monitor arm can be mounted on or through the desktop. The clamp has an integrated cable grommet. This clamp can be used directly with one of the Filex arm parts. The clamp cannot be extended.



**BNEFG809453** - White

**BNEFG809454** - Silver

**BNEFG809455** - Black



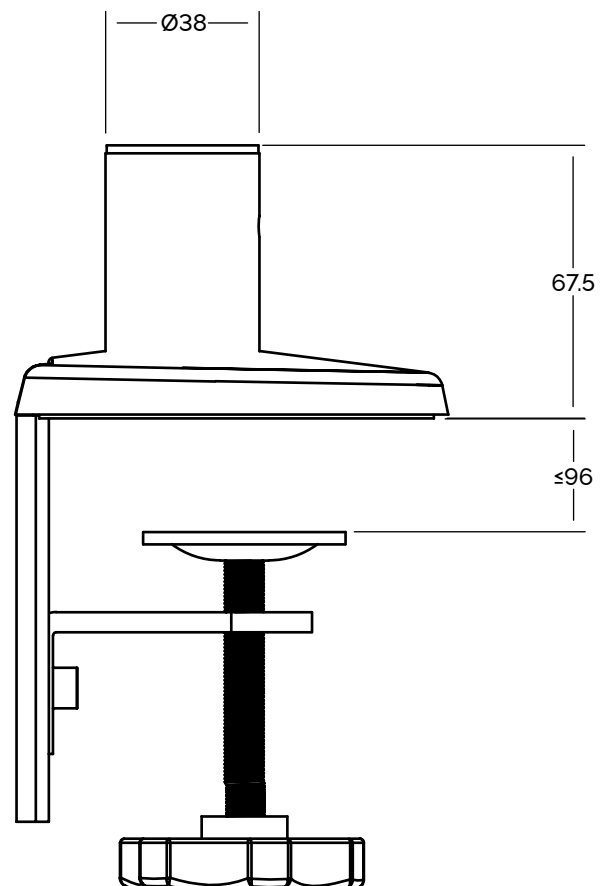
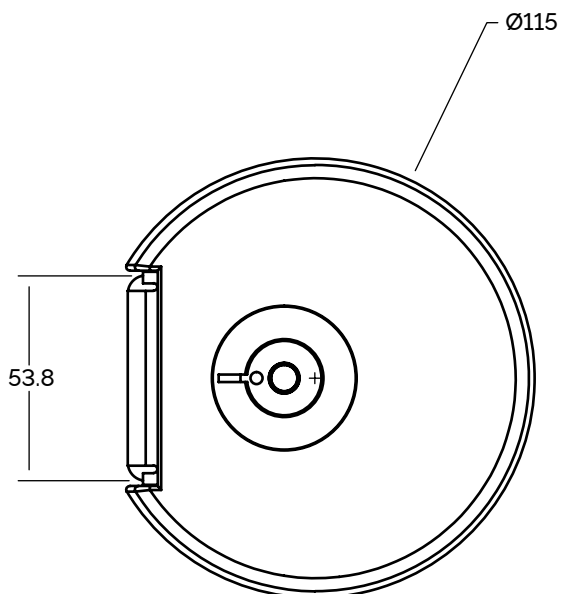
**Clamping range**

96mm



**Mounting with**

Rotary Screw



Dimensions are in mm

### 3. Filex Galaxy Desk feed

The Filex Galaxy Desk through mount ensures neat and stable mounting at any desired location on the desktop. An ideal clamp if you cannot use a desk clamp. Architects find this a nice solution.



BNEFG809460 - White  
BNEFG809461 - Silver  
BNEFG809462 - Black



**Clamping range**

10 - 60 mm



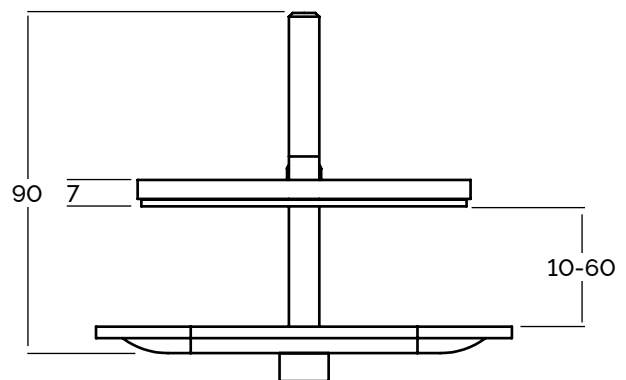
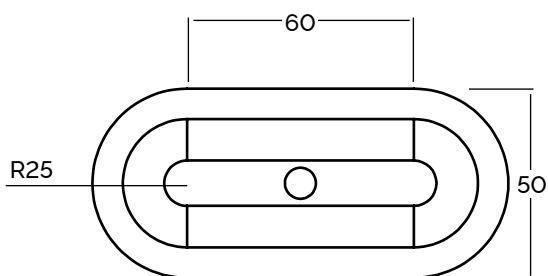
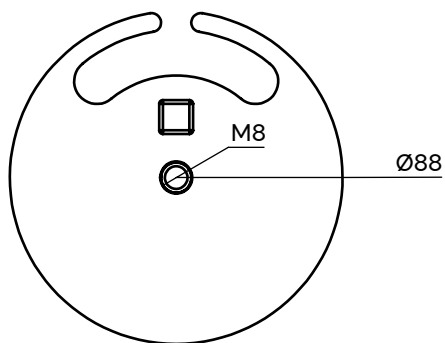
**Mounting with**

Allen key mechanism



**Diameter throughput**

min 8. to 62 mm (screw  $\varnothing$  M8)



Dimensions are in mm



## 4. Filex Galaxy clamp topdown including feedthrough

The unique design of this top-down clamp allows it to be mounted easily, quickly and ergonomically from above rather than below the desk. The clever clamping technique allows the topdown clamp to be mounted on almost any type of desktop. Including sliding tops and tops with a facet. Even if there is a partition, you can easily slide the clamp to the place where you want it.



**BNEFG809520** - White

**BNEFG809521** - Silver

**BNEFG809522** - Black



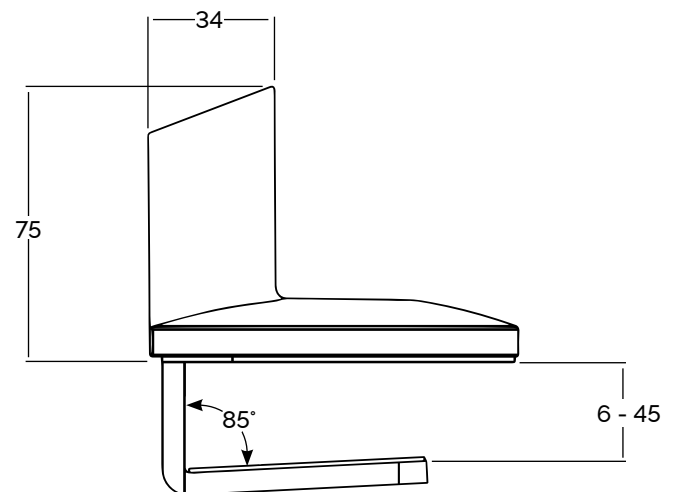
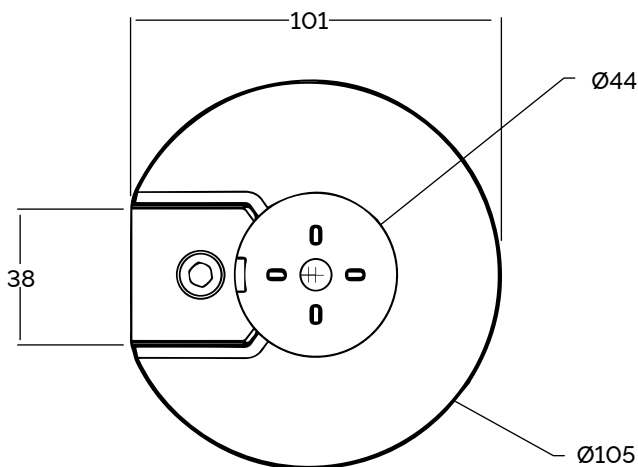
**Clamping range**

6 - 45 mm



**Mounting with**


Allen key mechanism





Dimensions are in mm

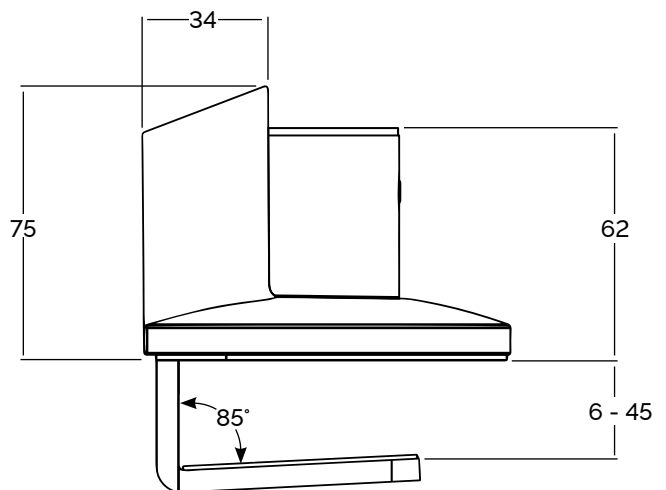
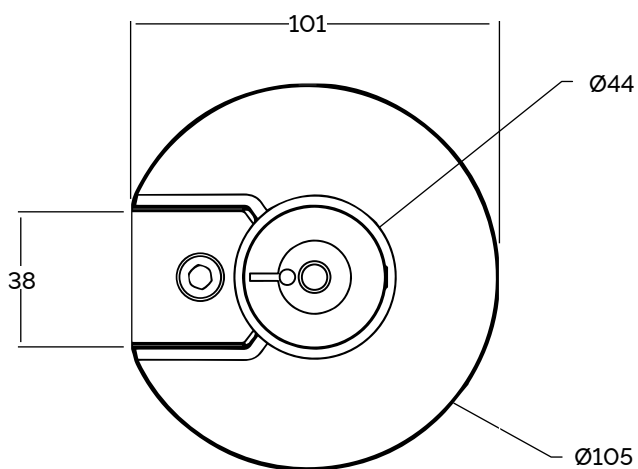
## 5. Filex Galaxy Desk clamp topdown incl. feedthrough + Filex Galaxy Adapter for leaf clamp topdown

The adapter is an addition to the topdown desk clamp and allows you to place an arm part on the clamp directly, without the use of a post. Only to be used in combination with a Filex Galaxy Desk clamp topdown incl. feedthrough. This adapter can also be used as desk through.

-  BNEFG809523 - White
- BNEFG809524 - Silver
- BNEFG809525 - Black

 Clamping range  
6 - 45 mm

 Mounting with  
Allen key mechanism



Dimensions are in mm

## 6. Filex Galaxy Clamp sliding desk

This Filex desk clamp is specially designed for desks with sliding tops, faceted tops, standard desks or desks with little space behind the desktop. And also for desktops with an integrated cable duct at the back. Always to be used in combination with a post!



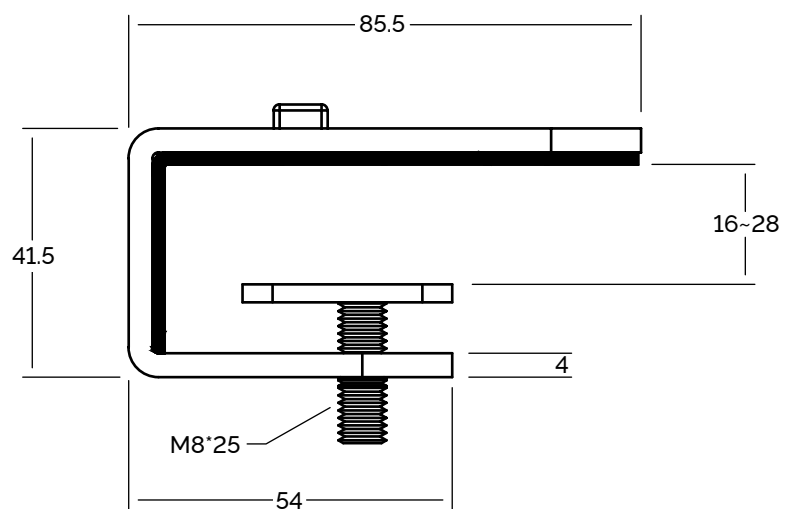
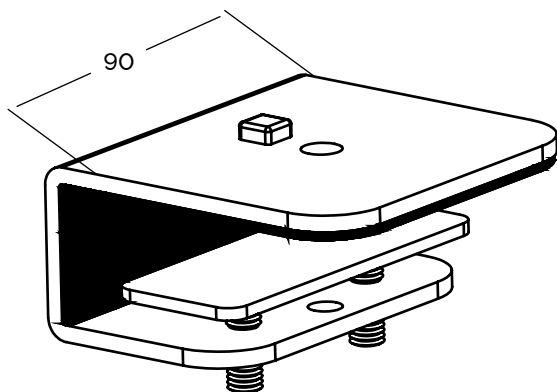
**BNEFG809456** - Black  
**BNEFG809457** - Silver  
**BNEFG809458** - White



**Clamping range**  
16 - 28 mm



**Mounting with**  
Allen key mechanism



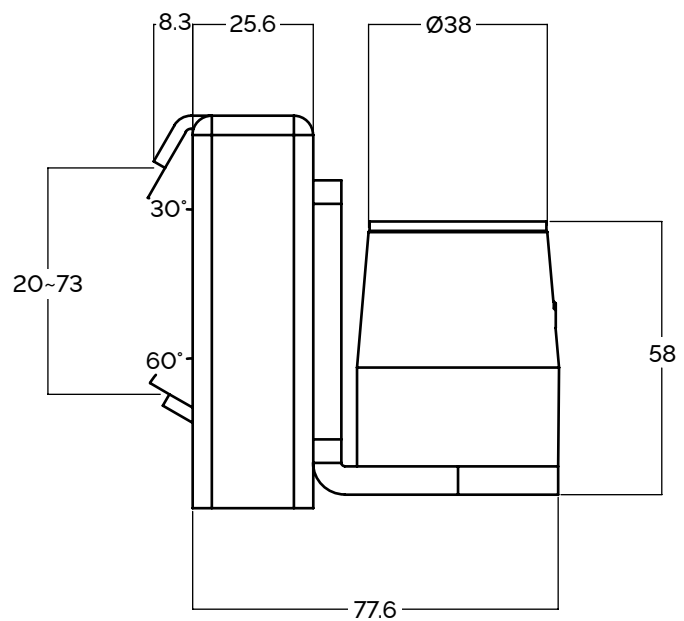
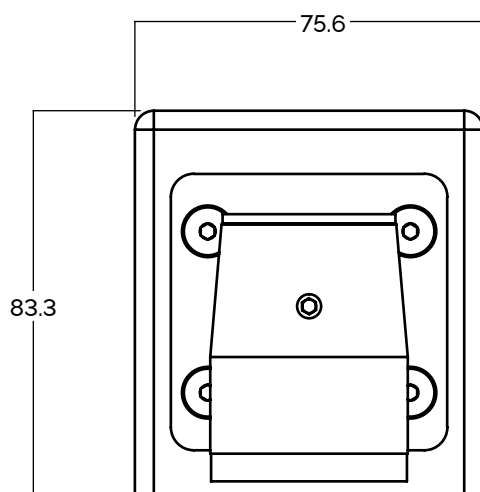
Dimensions are in mm

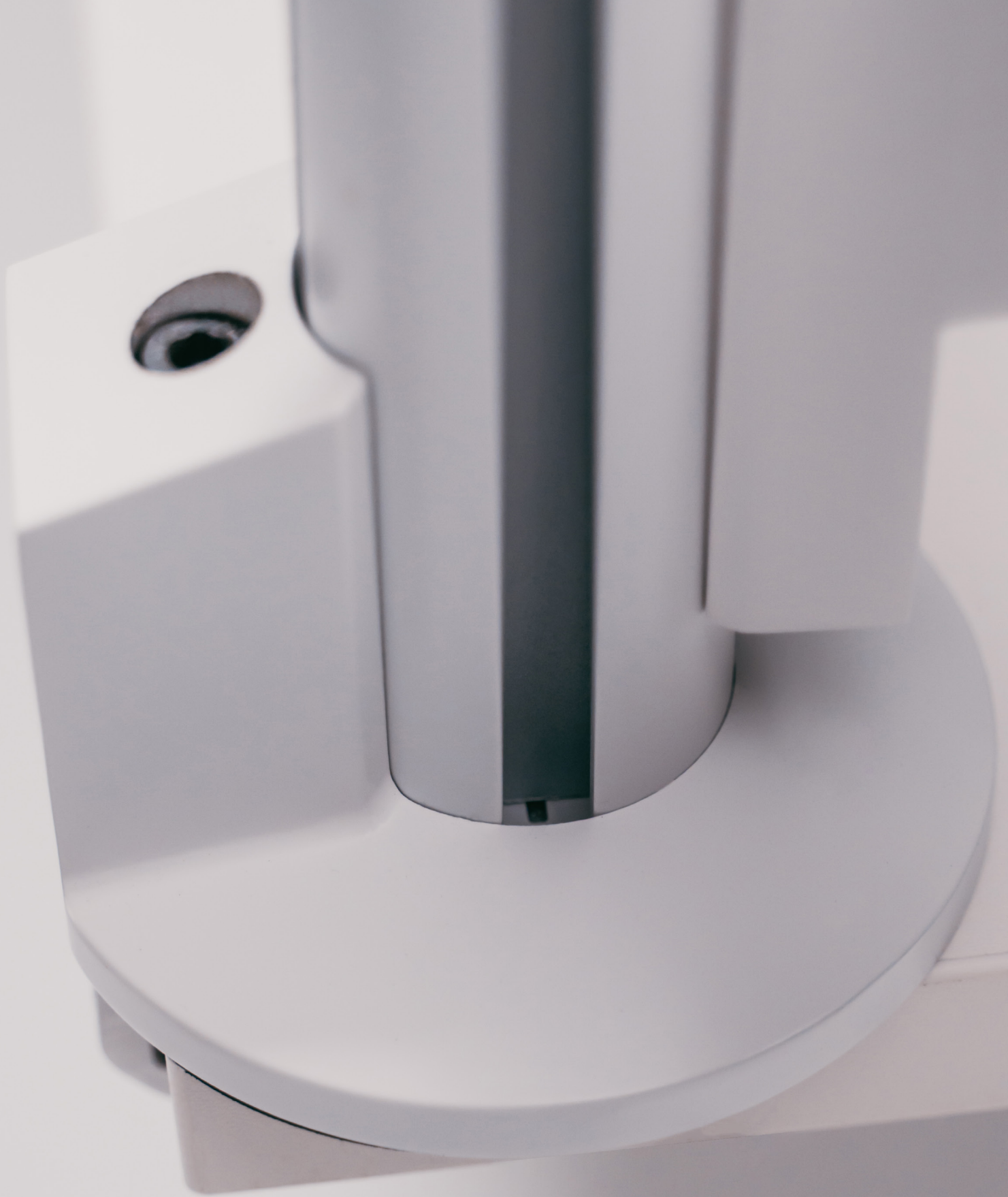
## 7. Filex Galaxy Universal toolbar/ wall clamp

The Filex Galaxy Universal Toolbar / Wall Clamp is suitable for wall mounting and can be attached directly to the rail (toolbar) by means of the clamp function.



- BNEFG809499 - Silver
- BNEFG809504 - White
- BNEFG809505 - Black





## Post Overview

### 8. Filex Galaxy Toolbar 150cm

By equipping this Toolbar with a Filex Galaxy post on both left and right, you can build any desired set-up and have a unique, professional solution for your workplace. This solution is used for applications where you want to have several applications or screens visible at the same time. The minimum width is approximately 170cm.

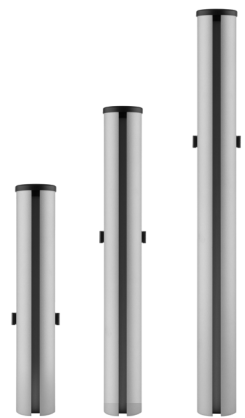
### 9. Filex Galaxy Posts

The entire length of the post is fitted with a mounting rail/slot on four sides that can accommodate the infinitely height-adjustable connector for mounting the monitor, Thin Client CPU holder, Filex Galaxy Laptop holder, etc. The post is fitted with a cover at the top and a cable management bracket at the back for cable management.

22 cm

45 cm

70 cm



## 8. Filex Galaxy Toolbar 150cm

By equipping this Toolbar with a Filex Galaxy post on both left and right, you can build any desired set-up and have a unique, professional solution for your workplace. This solution is used for applications where you want to have several applications or screens visible at the same time. The minimum width is approximately 170cm.



**BNEFG809506** - White

**BNEFG809507** - Silver

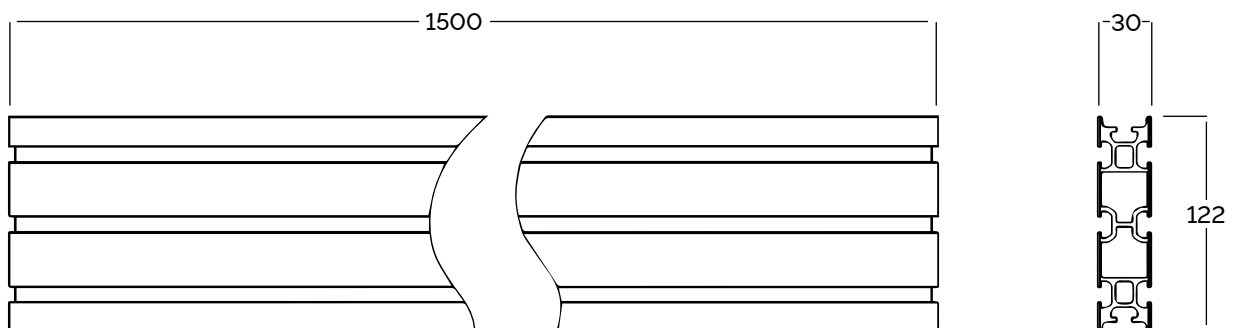
**BNEFG809508** - Black



**Mounting with (Order separately)**

2x Filex Galaxy Post +

Filex Galaxy Universal toolbar/ wall clamp  
for mounting arms



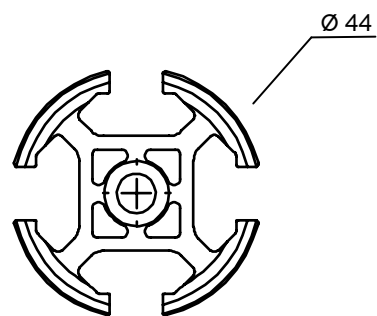
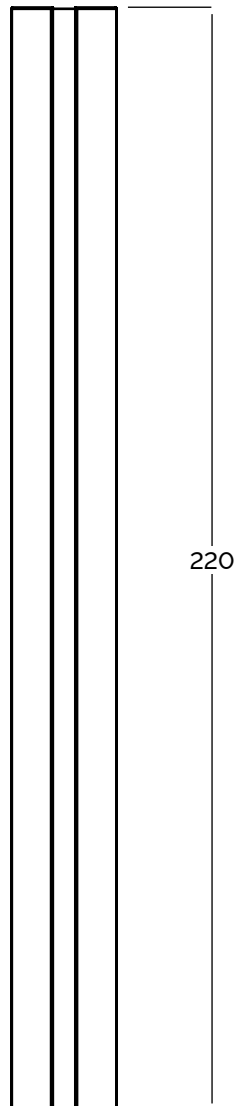
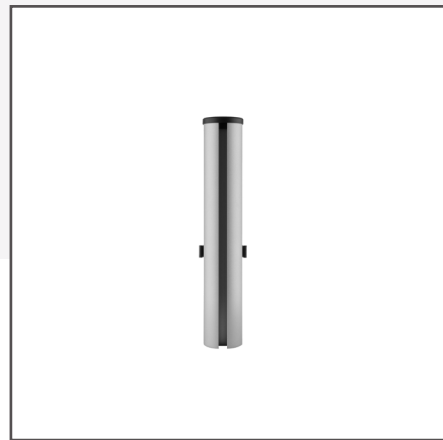
Dimensions are in mm

## 9. Filex Galaxy Post 22cm

The entire length of the post is fitted with a mounting rail/slot on four sides that can accommodate the infinitely height-adjustable connector for mounting the monitor, Thin Client CPU holder, Filex Galaxy Laptop holder, etc. The post is fitted with a cover at the top and a cable management bracket at the back for cable management.



- BNEFG809443 - White
- BNEFG809444 - Silver
- BNEFG809445 - Black





## 10. Filex Galaxy Post 45cm

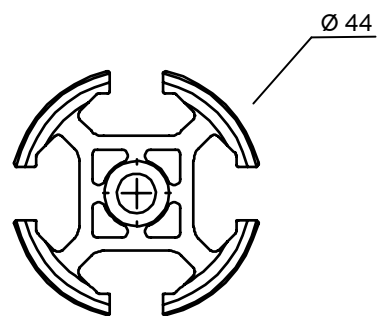
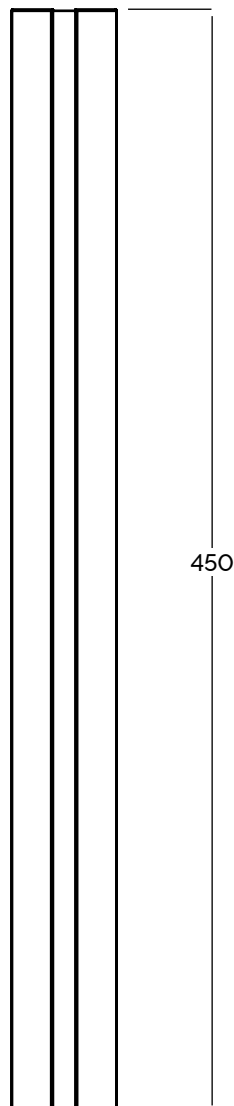
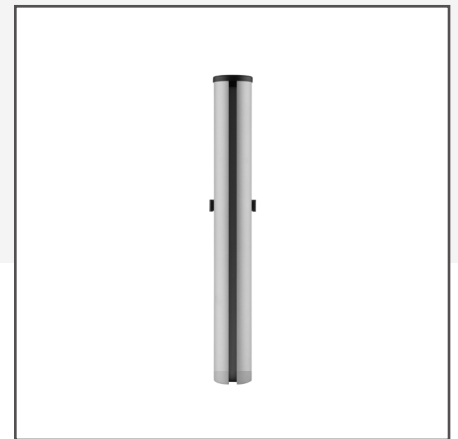
The entire length of the post is fitted with a mounting rail/slot on four sides that can accommodate the infinitely height-adjustable connector for mounting the monitor, Thin Client CPU holder, Filex Galaxy Laptop holder, etc. The post is fitted with a cover at the top and a cable management bracket at the back for cable management.



**BNEFG809440** - White

**BNEFG809441** - Silver

**BNEFG809442** - Black



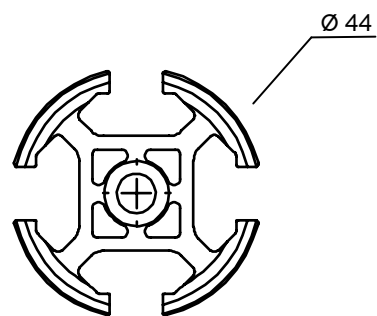
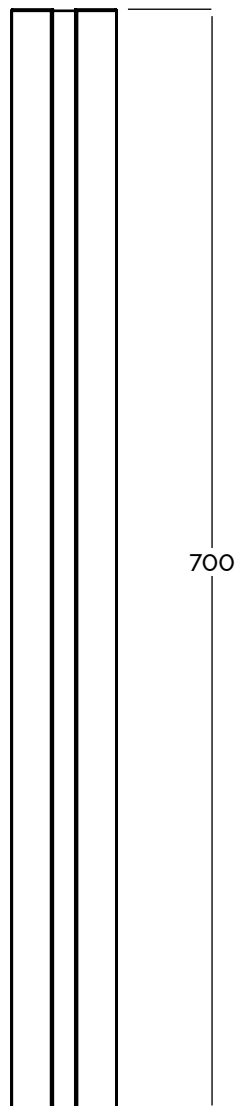
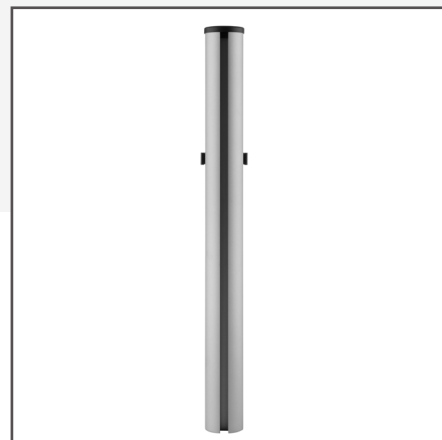
Dimensions are in mm

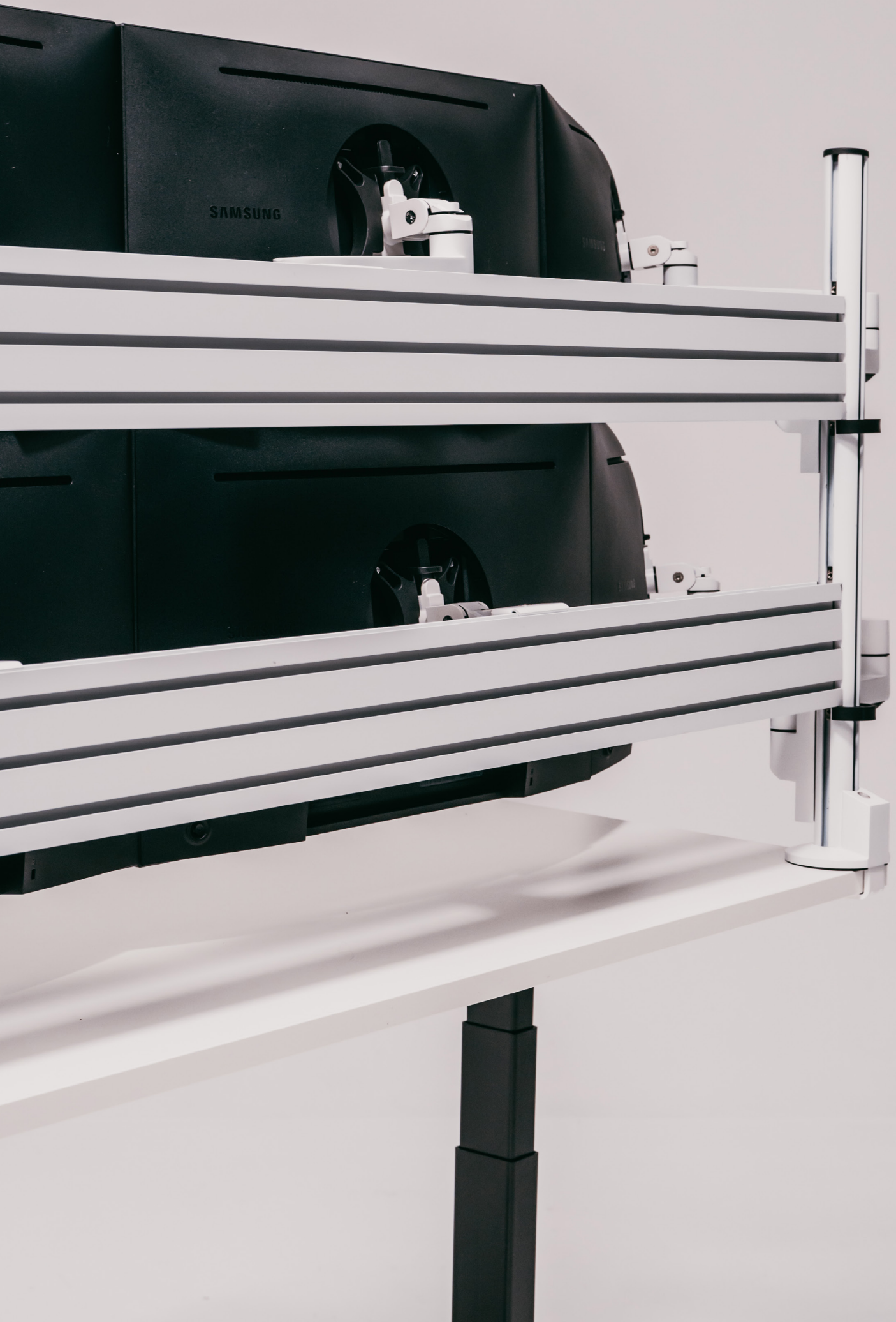
## 11. Filex Galaxy Post 70cm

The entire length of the post is fitted with a mounting rail/slot on four sides that can accommodate the infinitely height-adjustable connector for mounting the monitor, Thin Client CPU holder, Filex Galaxy Laptop holder, etc. The post is fitted with a cover at the top and a cable management bracket at the back for cable management.



- BNEFG809483 - White
- BNEFG809484 - Silver
- BNEFG809485 - Black





## Arms overview

### 12. Filex Galaxy Straight arm\*

The Filex Galaxy Straight arm is a static extension piece in the connector on the post and can be connected and then extended with any static or dynamic arm or directly to the VESA head on your screen. The arm determines the height setting and the depth setting. It is also possible to connect various other accessories such as the laptop holder. This arm is an ideal solution for a fixed workplace.

### 13. Filex Galaxy Slanted arm\*

This budget-friendly Filex Galaxy Slanted arm is a static extension that can be connected to the connector on the post as the first arm. After that, it can be extended with any static or dynamic arm or directly to the VESA head on your screen. The arm determines the height setting and the depth setting. Various other accessories such as the Filex Galaxy Laptop holder can also be connected to it. This arm is the ideal solution for creating height. This arm section is never used individually without additional parts. This arm is, for example, an ideal solution for a fixed workstation.

### 14. Filex Galaxy Dynamic arm Slanted\*

The Filex Galaxy Dynamic arm slanted is equipped with a gas spring for optimal dynamic height adjustment. The Dynamic arm slanted is a dynamic extension that can be connected to the connector on the post as a first arm part. After that it can be extended with any static or dynamic arm or directly to the VESA head on your screen. Various other accessories such as the Filex Galaxy Laptop holder can also be connected to it. This arm is an ideal solution for flexible and hybrid workplaces.

\* All our arms include cable management



## 12. Filex Galaxy Straight arm

The Filex Galaxy Straight arm is a static extension piece in the connector on the post and can be connected and then extended with any static or dynamic arm or directly to the VESA head on your screen. The arm determines the height setting and the depth setting. It is also possible to connect various other accessories such as the laptop holder. This arm is an ideal solution for a fixed workplace.



**BNEFG809470** - White

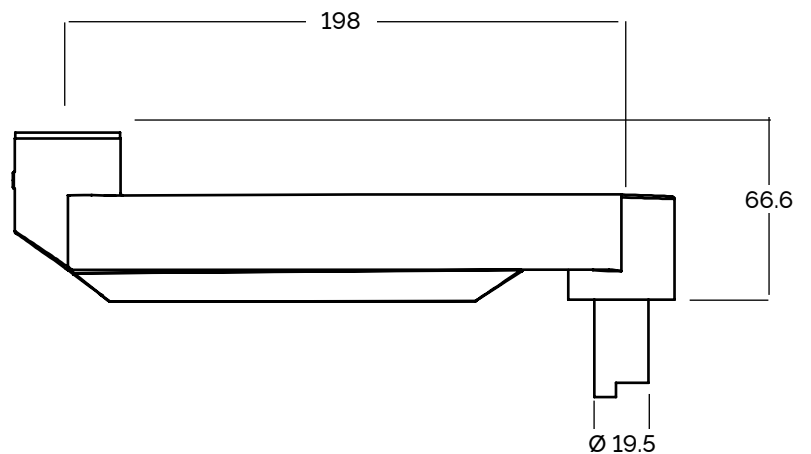
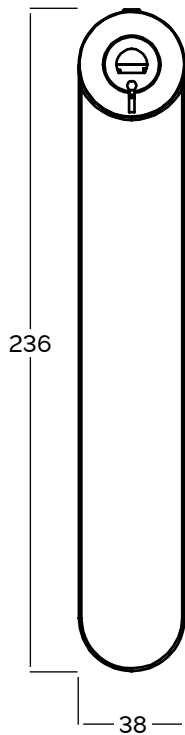
**BNEFG809471** - Silver

**BNEFG809472** - Black



**Maximum permitted weight**

12 kg



Dimensions are in mm

## 13. Filex Galaxy Arm Slanted

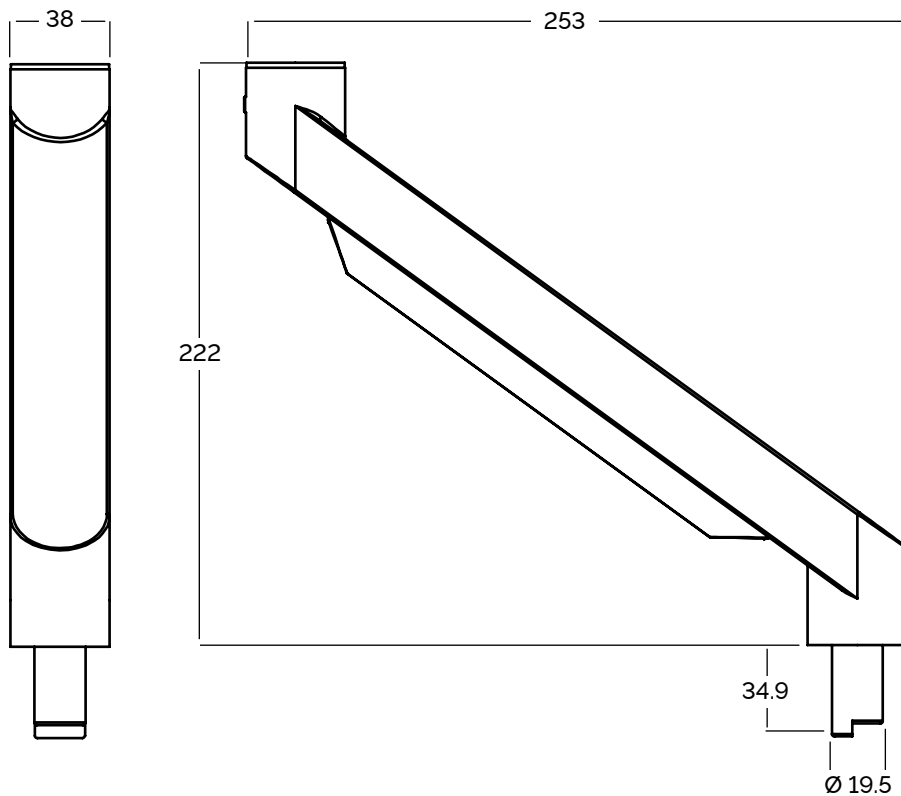
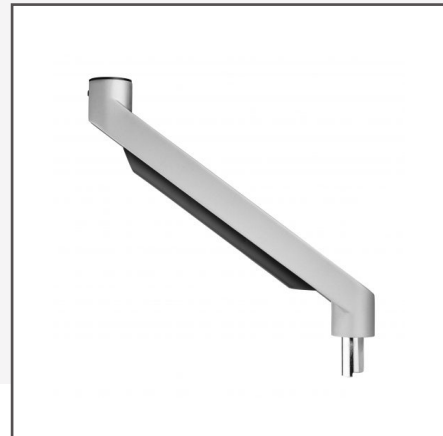
This budget-friendly Filex Galaxy Slanted arm is a static extension that can be connected to the connector on the post as the first arm. After that, it can be extended with any static or dynamic arm or directly to the VESA head on your screen. The arm determines the height setting and the depth setting. Various other accessories such as the Filex Galaxy Laptop holder can also be connected to it. This arm is the ideal solution for creating height. This arm section is never used individually without additional parts. This arm is, for example, an ideal solution for a fixed workstation.



- BNEFG809480 - White
- BNEFG809481 - Silver
- BNEFG809482 - Black



Maximum permitted weight  
12 kg



Dimensions are in mm

## 14, Filex Galaxy Dynamic arm Slanted

The Filex Galaxy Dynamic arm slanted is equipped with a gas spring for optimal dynamic height adjustment. The Dynamic arm slanted is a dynamic extension that can be connected to the connector on the post as a first arm part. After that it can be extended with any static or dynamic arm or directly to the VESA head on your screen. Various other accessories such as the Filex Galaxy Laptop holder can also be connected to it. This arm is an ideal solution for flexible and hybrid workplaces.



**BNEFG809470** - White

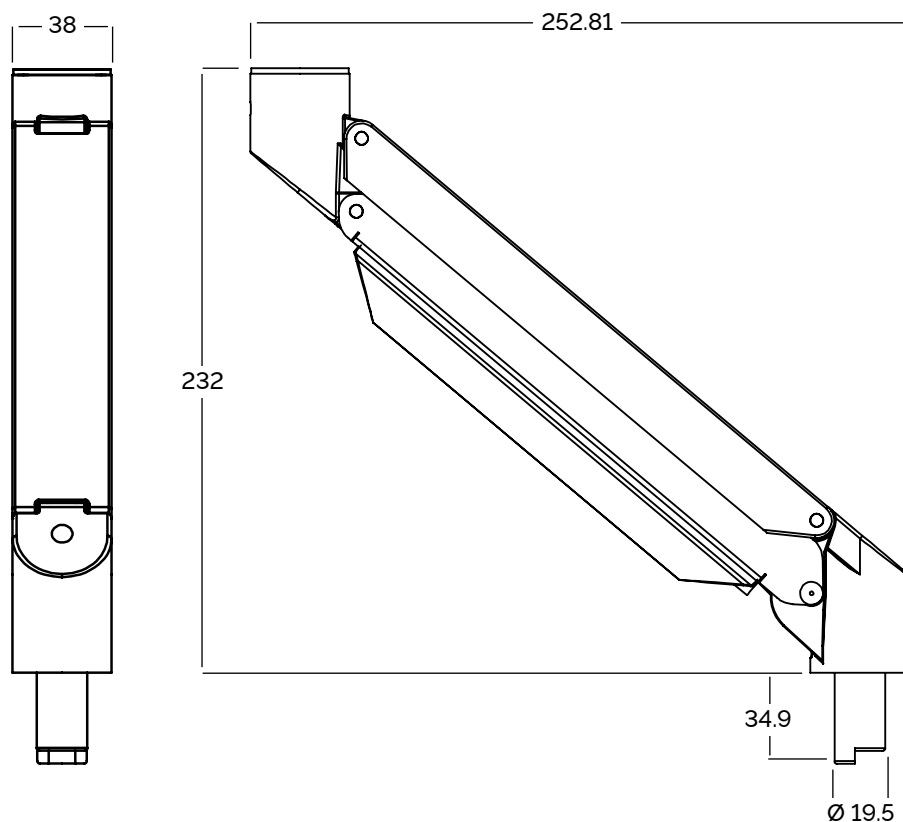
**BNEFG809471** - Silver

**BNEFG809472** - Black



**Maximum permitted weight**

2 - 12 kg



Dimensions are in mm

## 15. Filex Galaxy Connector

The connector has an integrated rotation stop that has 3 positions (adjustable by 90 degrees) and can be fitted with a VESA head, a static arm or a dynamic gas spring arm.

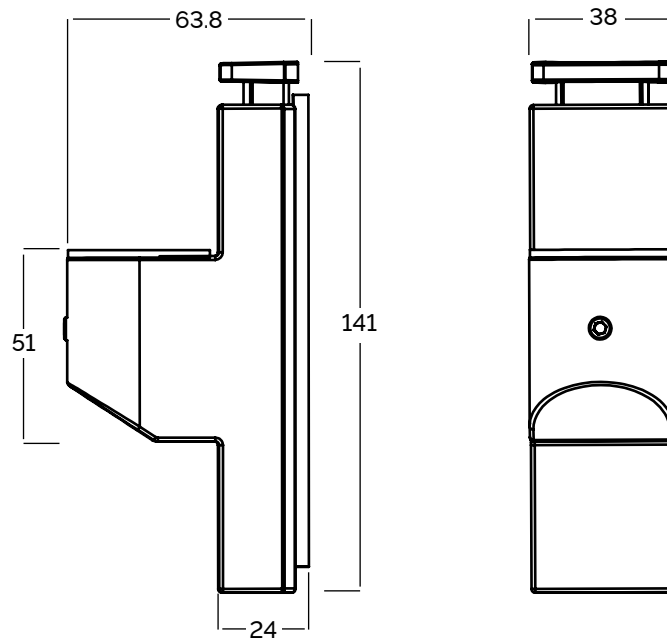
With this unique connector you can quickly and easily adjust the height of the arm. It is equipped with an integrated rotation stop. This prevents it from hitting your surrounding behind your desk.

This connector

is compatible with a VESA head, a static or dynamic arm. This connector is patented.



- BNEFG809467** - White
- BNEFG809468** - Silver
- BNEFG809469** - Black



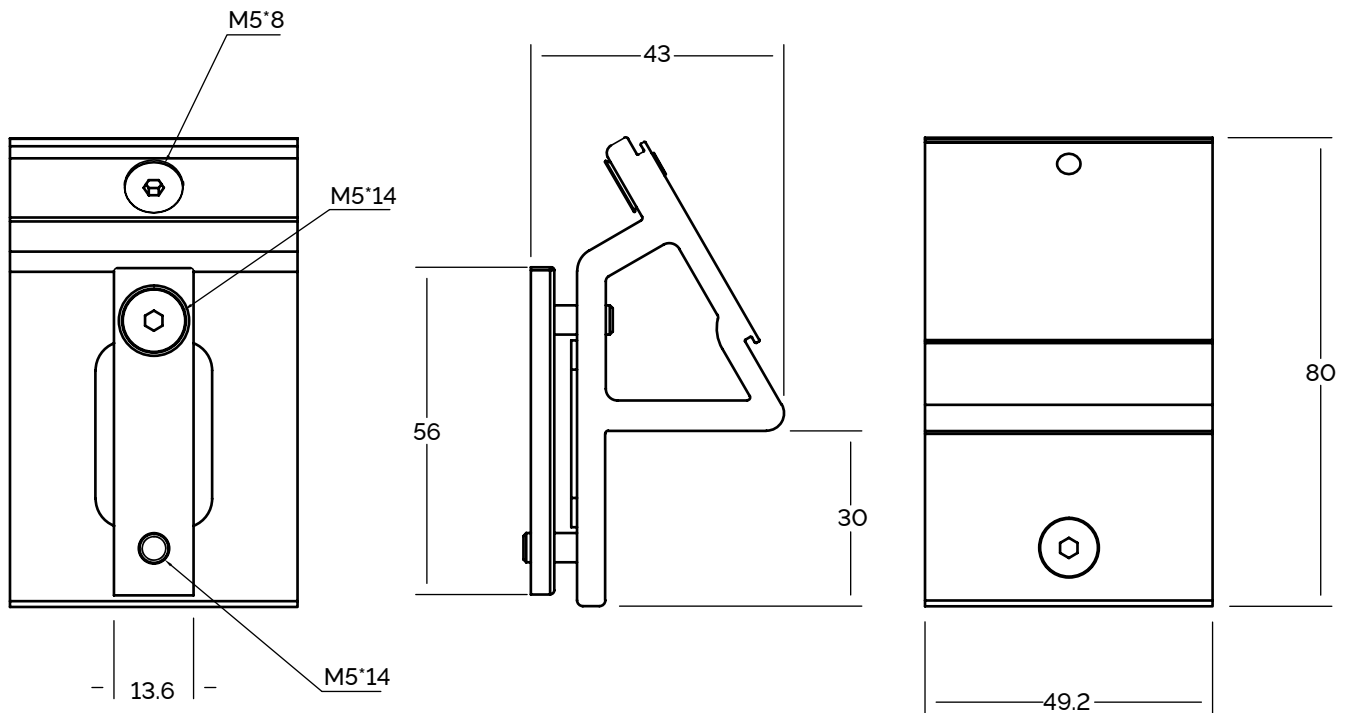


## 16. Filex Galaxy Electrification holder

Avoid drilling in your office and opt for simplicity and comfort by installing all your electrifications on your arm, so you don't have to attach separate units or clamps under your desk. You can mount all Filex Desk Up® 1.0 electrification units on this clamp.



- BNEFG809495 - White
- BNEFG809496 - Silver
- BNEFG809497 - Black



Dimensions are in mm

## 17. Filex Galaxy VESA Head with quick release

Filex Galaxy VESA head with quick release can be set to landscape or portrait. The flexible joint in the VESA head allows the monitor to rotate and tilt easily. The VESA head can be used to mount monitors, Thin Clients and Filex Galaxy Laptop holder.



BNEFG809464 - White

BNEFG809465 - Silver

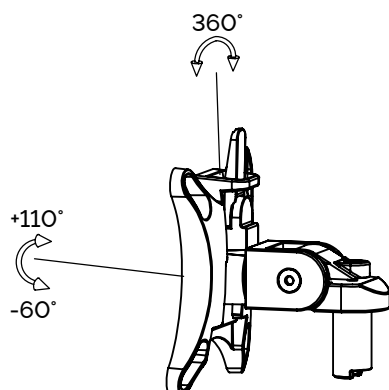
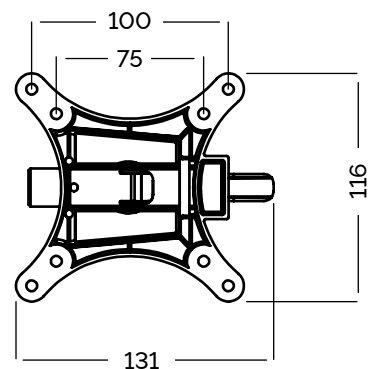
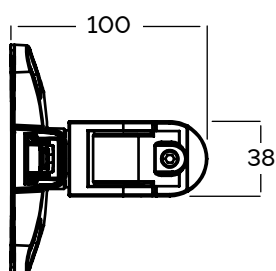
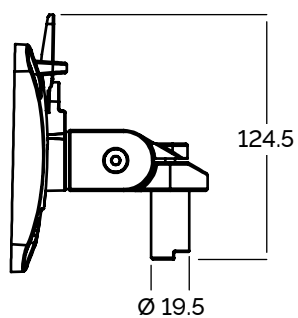
BNEFG809466 - Black



VESA sizes

75 x 75

100 x 100



Dimensions are in mm

## 18. Filex Galaxy VESA Head for crossbar

This VESA connector is specially designed for a crossbar and the VESA slider. This connector provides a rigid direct connection with the crossbar or VESA slider. This provides a stable solution that prevents the monitors from lowering.

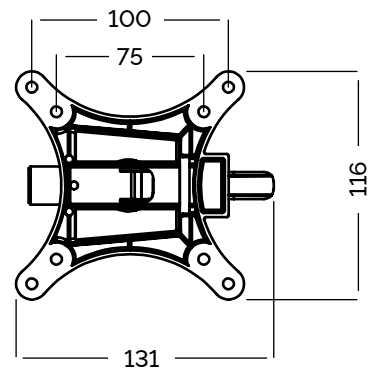
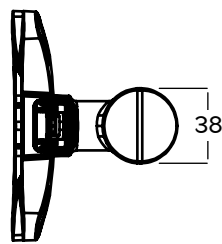
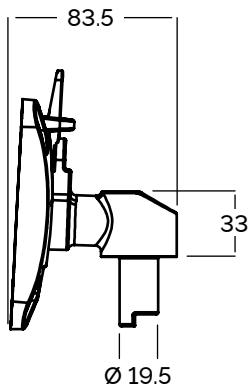


**BNEFG809500** - White  
**BNEFG809501** - Silver  
**BNEFG809502** - Black



**VESA sizes**

75 x 75  
100 x 100



Dimensions are in mm

## 19. Filex Galaxy VESA Slider

By using the Filex VESA slider, you can move the screen from left to right seamlessly providing the correct ergonomical position or the most optimal position for the user. By using the Filex VESA slider, you can seamlessly move the monitor from left to right and horizontally and vertically for the correct ergonomic position or the most optimal position for the user. This solution is also often used to create a distance between the screens, so that you can also place larger screens and because of the slider you can place them against each other and position them correctly.



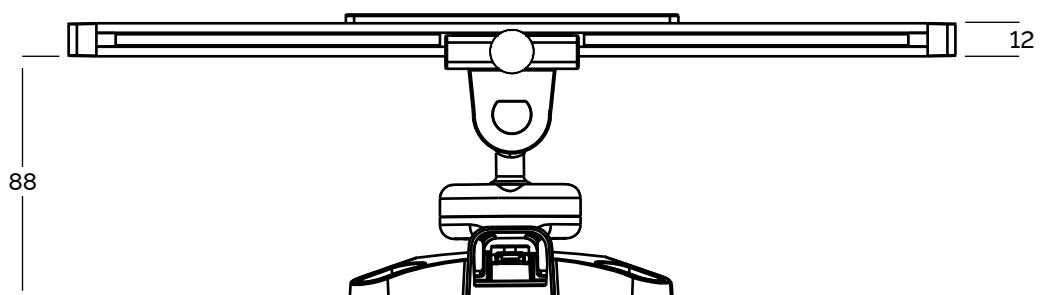
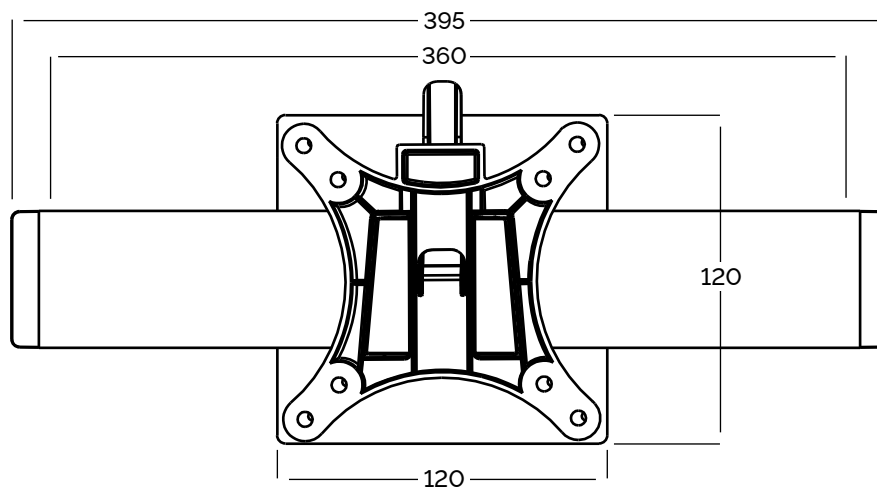
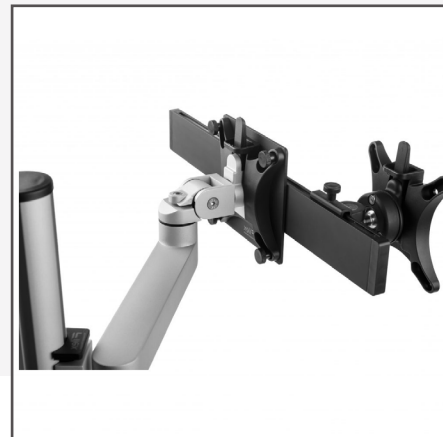
**BNEFG809503** - Black



**VESA sizes**

75 x 75

100 x 100



Dimensions are in mm

## 20. Filex Galaxy Crossbar

This Filex Crossbar can turn a single monitor arm suitable for 1 screen into an optimal ergonomically responsible solution for 2 screens. The Crossbar is equipped with a VESA with Quick Release and a ball joint per screen. This gives you an optimal independent adjustment per monitor.



**BNEFG809446** - Black  
**BNEFG809447** - White  
**BNEFG809448** - Silver



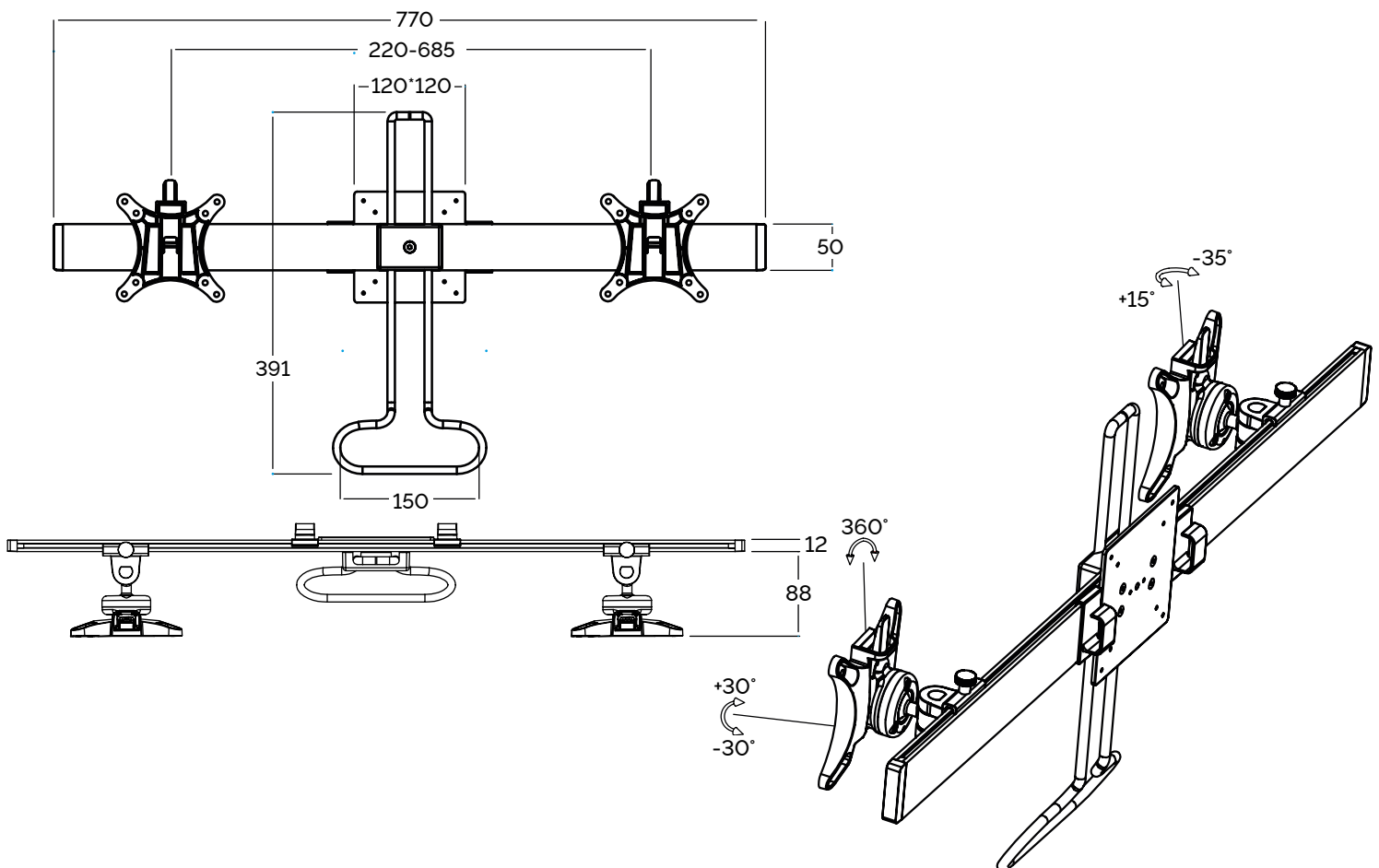
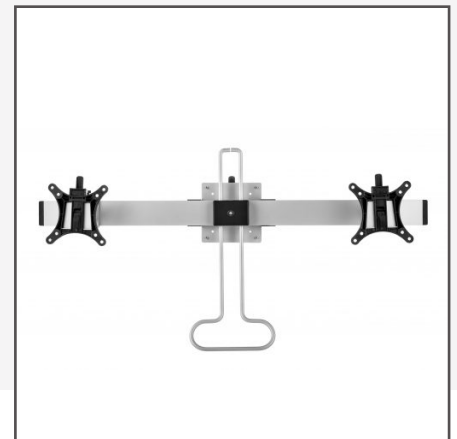
**VESA sizes**

75 x 75  
100 x 100



**Requires**

Filex Galaxy VESA head for crossbar



Dimensions are in mm

## 21. Filex Galaxy Laptop holder

With this Filex Galaxy Laptop holder you can quickly and easily mount any laptop or tablet to the VESA head of your monitor arm and flexibly adjust it to the desired height and viewing angle. Ideal for flexible workplaces or home workplaces.



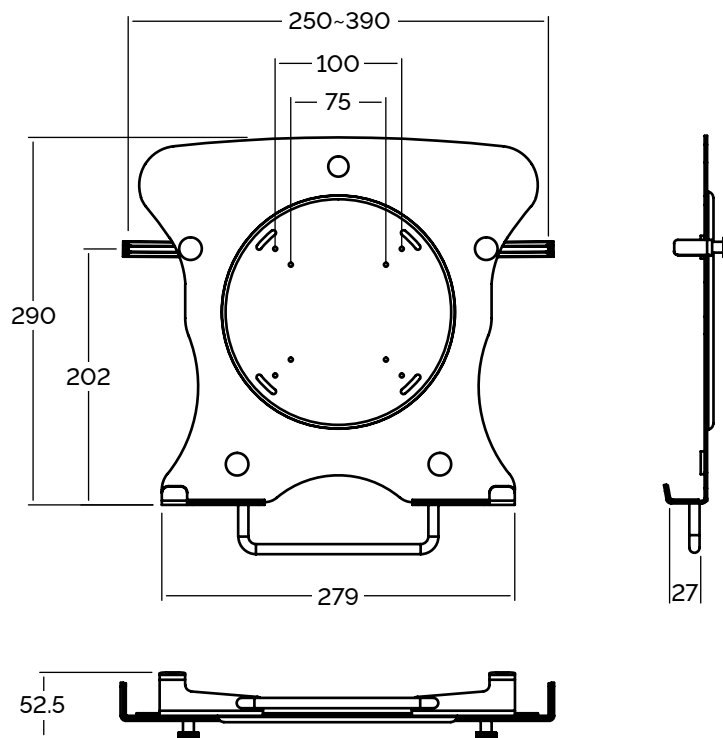
**BNEFG809498** - Black



**VESA sizes**

75 x 75

100 x 100



Dimensions are in mm

## 22. Filex Galaxy Sit Stand Workstation

Stable solution in combination with the Filex Galaxy monitor arm for using a keyboard and mouse at any desired height and position. This solution is widely used in hospitals and care facilities



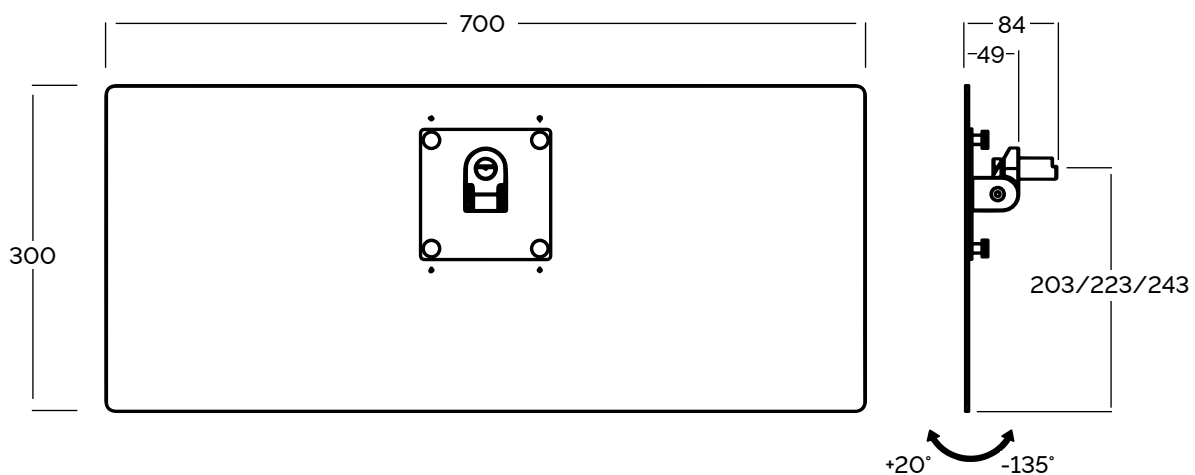
**BNEFG809516** - White

**BNEFG809517** - Black



### Mounting with (Order separately)

Filex Galaxy Desk Clamp, Post 70 cm and the Filex Galaxy Straight arm to mount the Sit Stand workstation To mount the screen you need a Filex Galaxy connector and a Filex Galaxy VESA Head with quick release.



Dimensions are in mm

## 23. Filex Galaxy Thin Client CPU holder

The Thin Client CPU holder is specially designed for every brand and type of Thin Client and is easy to mount on the post. The Thin client is fixed to the Thin Client CPU holder by a convenient sliding-kilk system. The use of absorbent foam protects the Thin Client from scratches. This gives you a tidy desk at all times. You can mount the CPU holder on the back of the desk, among other things.



**BNEFG809510** - White

**BNEFG809511** - Silver

**BNEFG809512** - Black



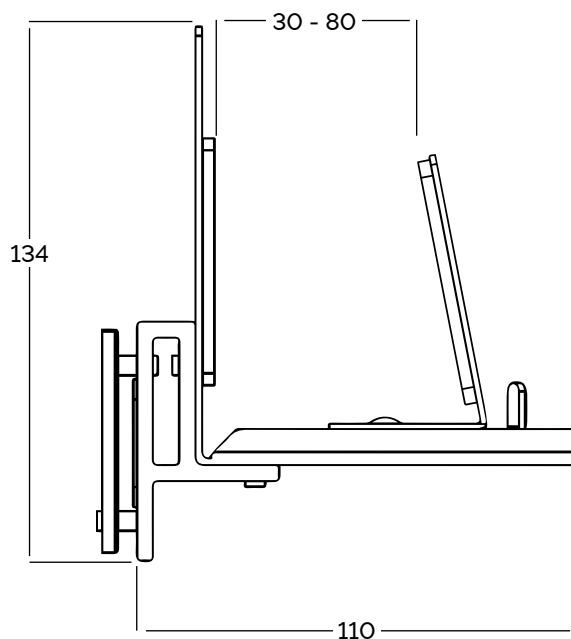
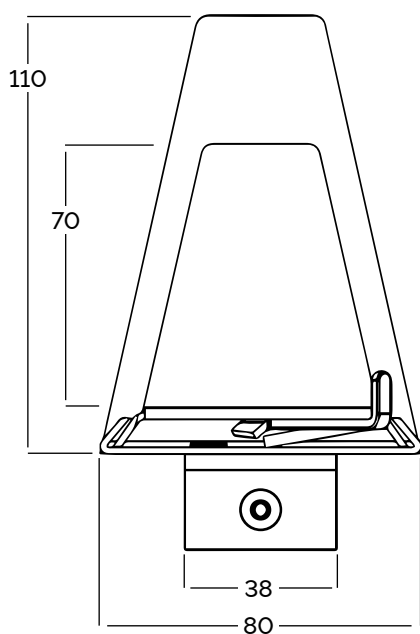
**Maximum thickness Thin Client**

30 - 80 mm



**Securing Thin Client**

Click and slide system



Dimensions are in mm



## Standard configurations



Each configuration described below is adaptable to future needs, needs in the future. The configurations are modular and circular and can be expanded.

## Filex Galaxy Modular Single Short

The height of this installation is easily and infinitely adjustable, thanks to the patented connector with 180 degrees rotation stop. The flexible, quick-release VESA head allows the monitor to be tilted, rotated and swiveled. This setup is easily extended with Crossbar and VESA head for crossbar to expand to 2 screens.



**BNEFG809430** - White

**BNEFG809431** - Silver

**BNEFG809432** - Black



### Configurations

1 - Filex Galaxy Post 45cm

1 - Filex Galaxy Desk Clamp

1 - Filex Galaxy Desk through mount

1 - Filex Galaxy Connector

1 - Filex Galaxy VESA head with quick release



### Rotation stop 180°

Yes



### Cable management

Yes



### Number of screens

1



### Load capacity

12 kg



### Adjustability

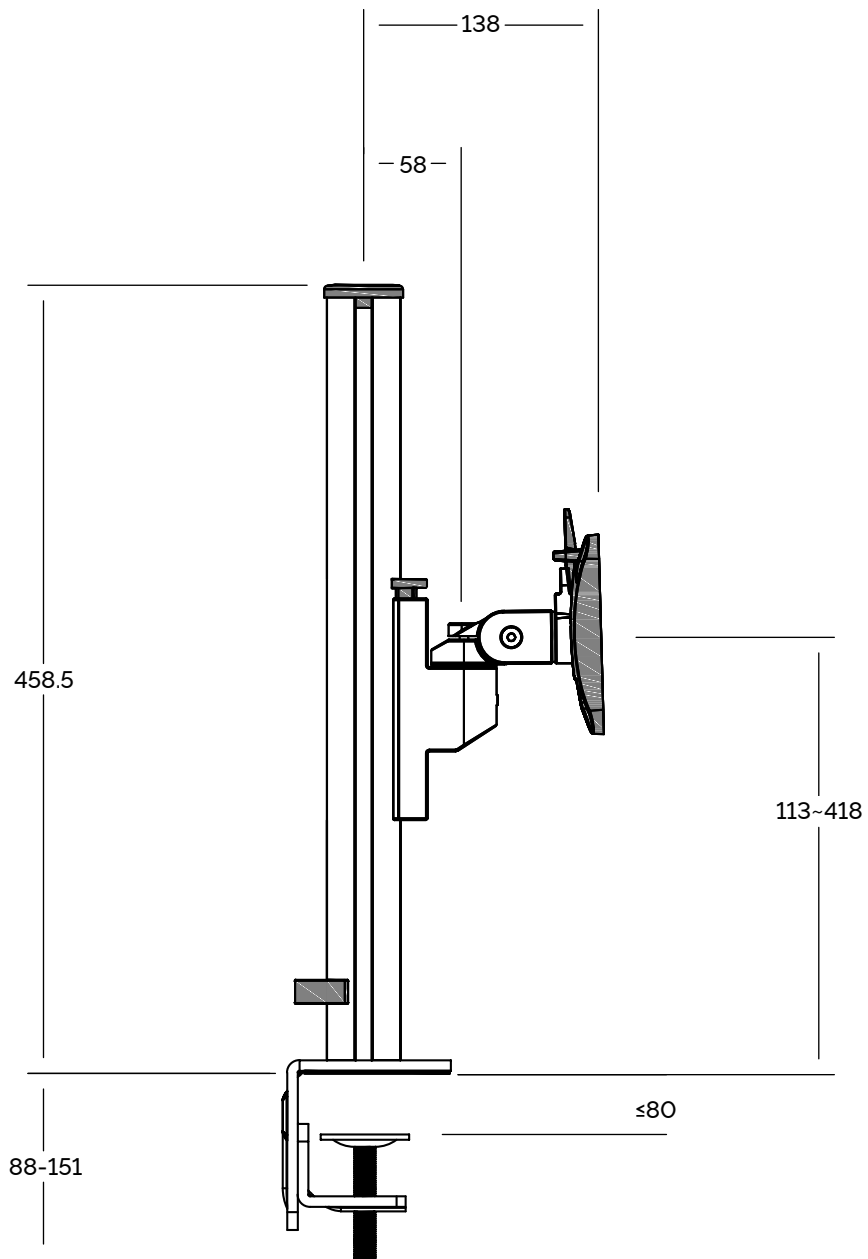
+/- 90 degrees rotation  
(landscape or portrait), 45  
degrees swivel and tilt



### Circular

100 % recyclable and made of  
98.8% sustainable materials





Go to the website for  
this solution

Dimensions are in mm

## Filex Galaxy Modular Single

Fully adjust the height and depth of the monitor with the patented and built-in 180-degree stop in the connector on the post. The 3 pivot points on the Filex Galaxy Straight arm and VESA head allow the monitor to be tilted, rotated and swung. This setup is easily extended with Crossbar and VESA head for crossbar to expand to 2 screens.

**BNEFG809410** - White



**BNEFG809411** - Silver

**BNEFG809412** - Black

### Configurations



- 1 - Filex Galaxy Post 45cm
- 1 - Filex Galaxy Desk Clamp
- 1 - Filex Galaxy Desk through mount
- 1 - Filex Galaxy Connector
- 2 - Filex Galaxy Straight arm
- 1 - Filex Galaxy VESA head with quick release



**Rotation stop 180°**

Yes



**Cable management**

Yes



**Number of screens**

1



**Load capacity**

12 kg



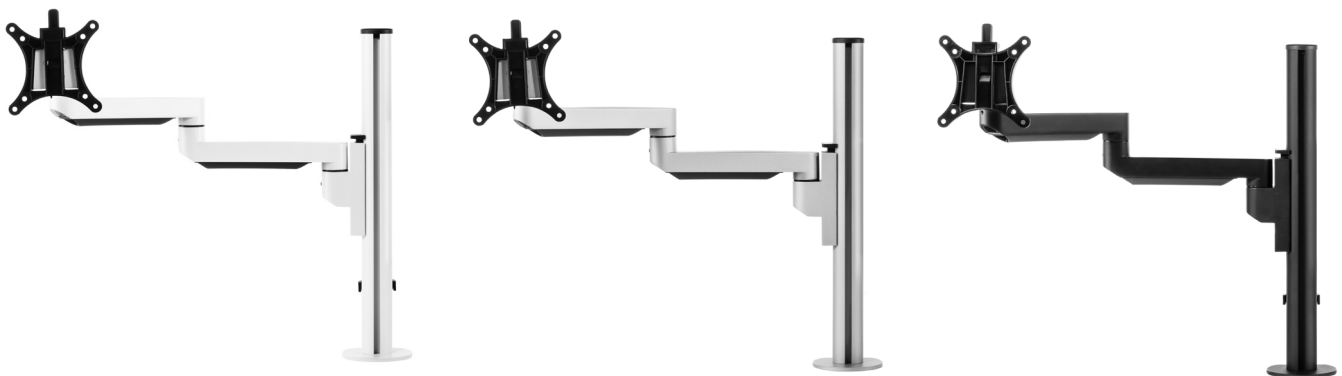
**Adjustability**

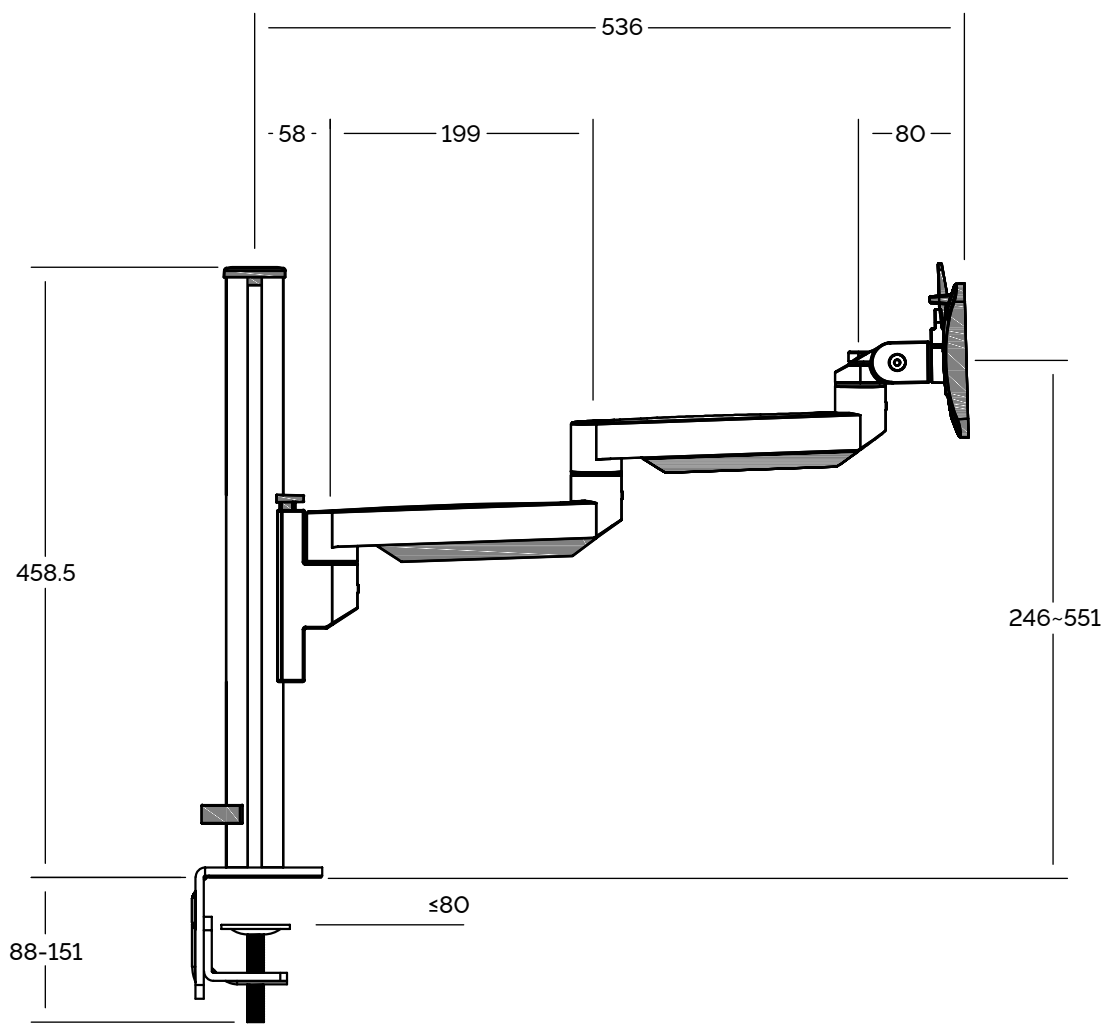
+/- 90 degrees rotation  
(landscape or portrait), 45  
degrees swivel and tilt



**Circular**

100 % recyclable and made of  
98.8% sustainable materials





Go to the website for  
this solution

Dimensions are in mm

## Filex Galaxy Modular Dual

Fully adjust the height and depth of the monitor with the patented and built-in 180-degree stop in the connector on the post. The 3 arm pivot points and VESA head allow the monitor to be tilted, rotated and swung.



**BNEFG809420** - White  
**BNEFG809421** - Silver  
**BNEFG809422** - Black



### Configurations

- 1 - Filex Galaxy Post 45cm
- 1 - Filex Galaxy Desk Clamp
- 1 - Filex Galaxy Desk through mount
- 2 - Filex Galaxy Connector
- 4 - Filex Galaxy Straight arm
- 2 - Filex Galaxy VESA head with quick release



**Rotation stop 180°**  
Yes



**Cable management**  
Yes



**Number of screens**  
2



**Load capacity**  
12 kg

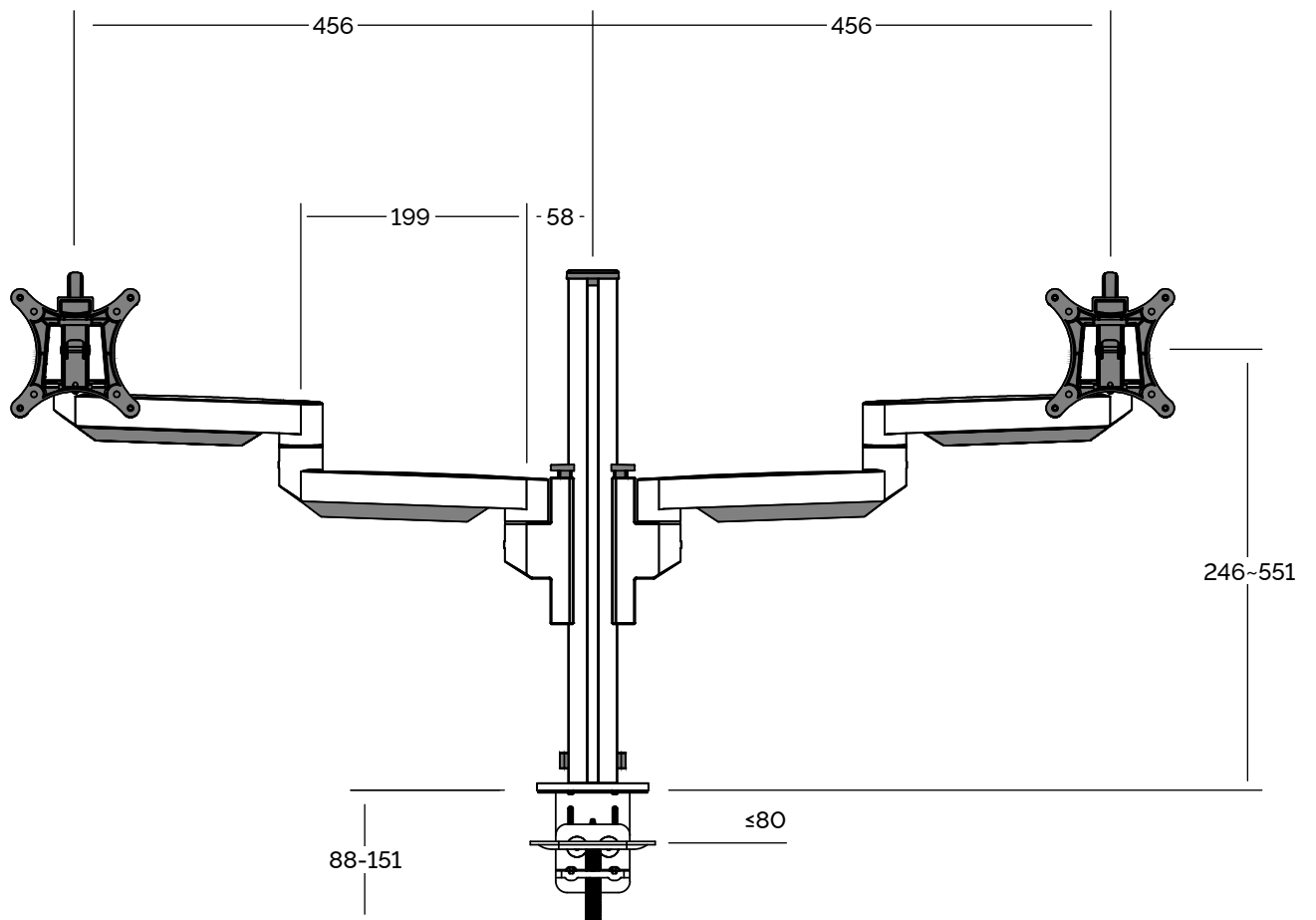


**Adjustability**  
+/- 90 degrees rotation  
(landscape or portrait), 45  
degrees swivel and tilt



**Circular**  
100 % recyclable and made of  
98.8% sustainable materials





Go to the website for  
this solution

Dimensions are in mm

## Filex Galaxy Modular Flex Single Silver

This monitor arm is equipped with a Filex Galaxy Straight arm and a Filex Galaxy Dynamic slanted arm for optimal height and depth. This arm is fully adjustable with the patented and built-in 180 degree stop in the connector on the post. Thanks to the VESA standard, the monitor can tilt, rotate and swivel at any time for an optimal viewing angle. This setup is easily extended with Crossbar and VESA head for crossbar to expand to 2 screens.



**BNEFG809417-S** - Silver



### Configurations

- 1 - Filex Galaxy Post 22cm
- 1 - Filex Galaxy Desk Clamp
- 1 - Filex Galaxy Desk through mount
- 1 - Filex Galaxy Connector
- 1 - Filex Galaxy Straight arm
- 1 - Filex Galaxy Dynamic slanted arm
- 1 - Filex Galaxy VESA head with quick release



### Rotation stop 180°

Yes



### Cable management

Yes



### Number of screens

1



### Load capacity

2 - 12 kg



### Adjustability

+/- 90 degrees rotation  
(landscape or portrait), 45  
degrees swivel and tilt

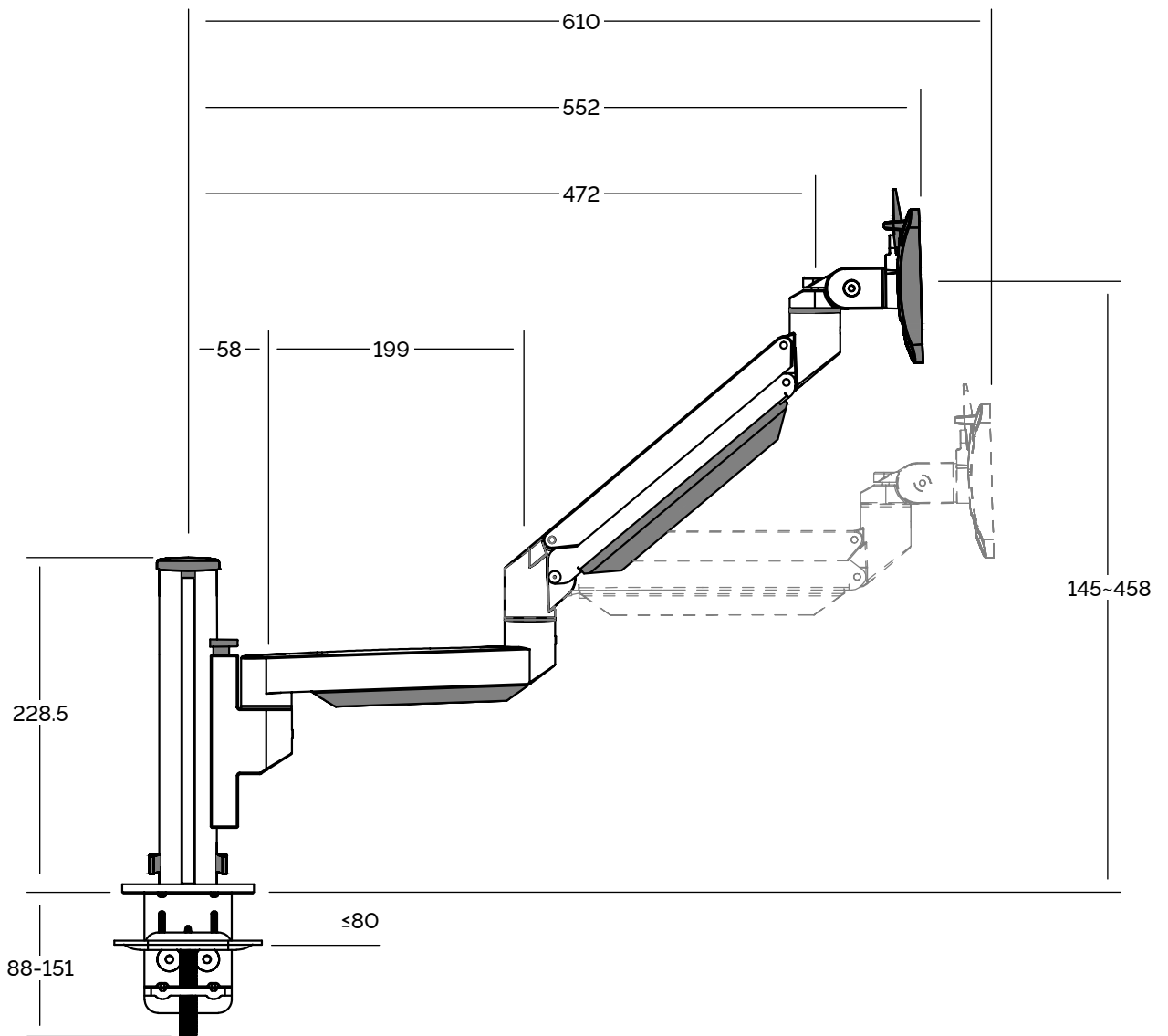


### Circular

100 % recyclable and made of  
98.8% sustainable materials







Go to the website for  
this solution

Dimensions are in mm

## Filex Galaxy Modular Flex Dual

This Filex Galaxy configuration is equipped with 2 monitor arms with a Filex Galaxy Straight arm and a Filex Galaxy Dynamic slanted arm for optimal height and depth. Deze arm is volledig traploos in te stellen met de gepatenteerde en ingebouwde 180 graden stop in de connector op de post. The VESA standard ensures that the screens can tilt, rotate and swivel at all times.



**BNEFG809416-S** - Silver

**BNEFG809475** - White

**BNEFG809476** - Black



### Configurations

1 - Filex Galaxy Post 22cm

1 - Filex Galaxy Desk Clamp

1 - Filex Galaxy Desk through mount

2 - Filex Galaxy Connector

2 - Filex Galaxy Straight arm

2 - Filex Galaxy Dynamic slanted arm

2 - Filex Galaxy VESA head with quick release



### Rotation stop 180°

Yes



### Cable management

Yes



### Number of screens

2



### Load capacity

2 - 12 kg



### Adjustability

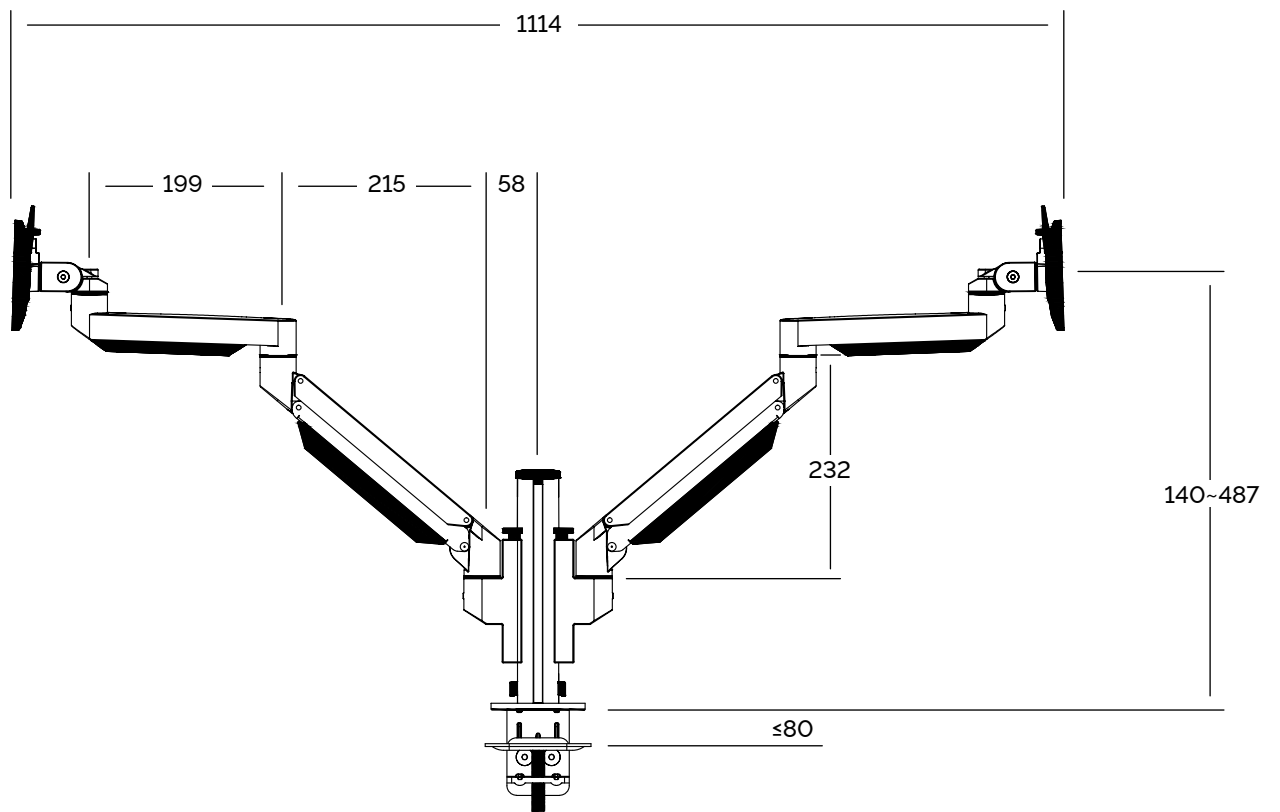
+/- 90 degrees rotation  
(landscape or portrait), 45  
degrees swivel and tilt



### Circular

100 % recyclable and made of  
98.8% sustainable materials





Go to the website for  
this solution

Dimensions are in mm

## Filex Galaxy Flex Single

This Filex Galaxy configuration is equipped with 2 monitor arms with a Filex Galaxy Straight arm and a Filex Galaxy Dynamic slanted arm for optimal height and depth. This arm is fully adjustable with the patented and built-in 180 degree stop in the connector on the post. The VESA standard ensures that the screens can tilt, rotate and swivel at all times. This setup is easily extended with Crossbar and VESA head for crossbar to expand to 2 screens.



**BNEFG809415-S** - Silver



### Parts

- 1 - Filex Galaxy Clamp incl. desk feed through
- 1 - Filex Galaxy Straight arm
- 1 - Filex Galaxy Dynamic slanted arm
- 1 - Filex Galaxy VESA head with quick release



### Rotation stop 180°

Yes



### Cable management

Yes



### Number of screens

1



### Load capacity

2 - 12 kg



### Adjustability

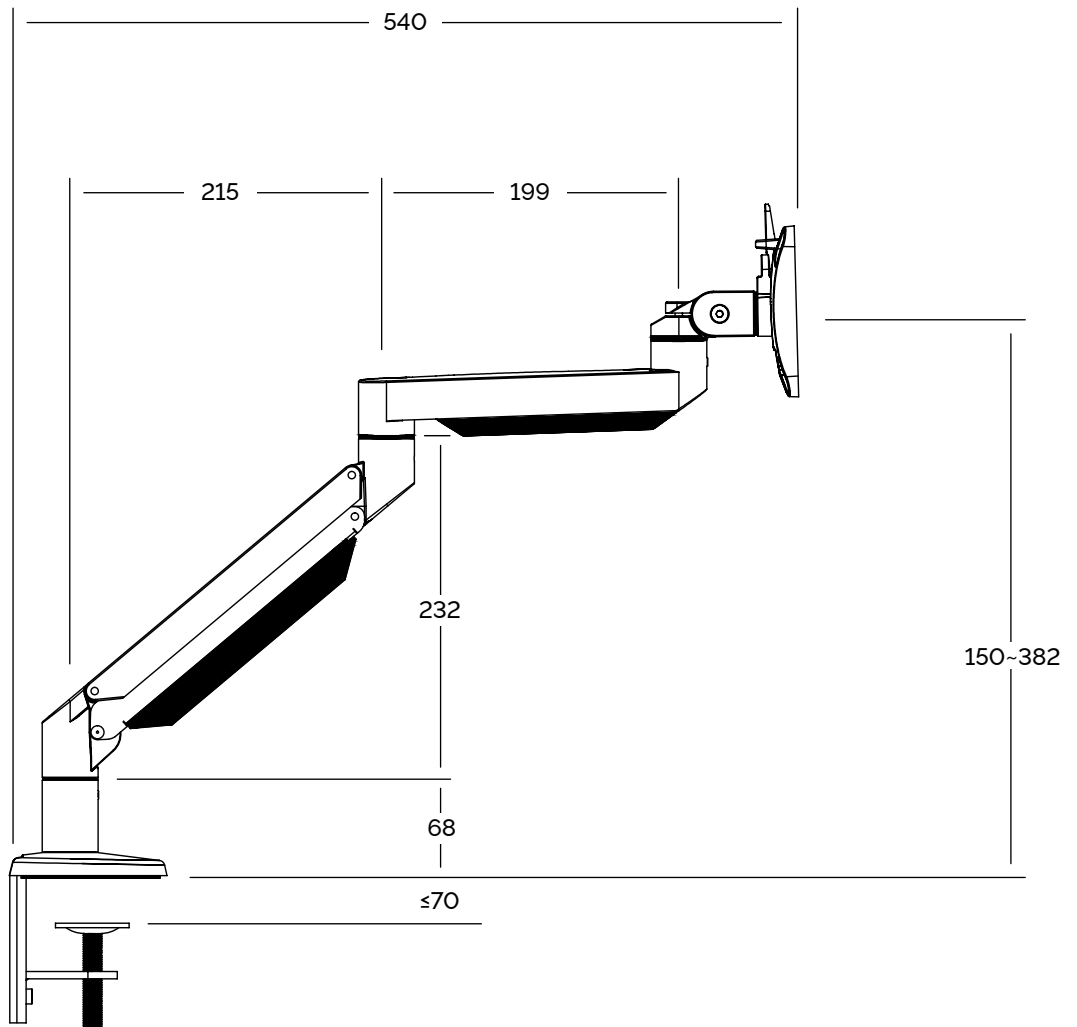
+/- 90 degrees rotation  
(landscape or portrait), 45  
degrees swivel and tilt



### Circular

100 % recyclable and made of  
98.8% sustainable materials





Go to the website for  
this solution

Dimensions are in mm

## Filex Galaxy Flex Dual Crossbar

The handle and the gas spring make it completely infinitely adjustable. This is due to the patented and built-in 180 degree stop in the connector on the post. The flexible VESA head with quick release allows the screens to tilt, rotate and swivel independently from each other.



**BNEFG809427-S** - Silver



### Configurations

- 1 - Filex Galaxy Clamp incl. desk feed through
- 1 - Filex Galaxy Slanted arm
- 1 - Filex Galaxy Dynamic slanted arm
- 1 - Filex Galaxy VESA head for crossbar
- 1 - Filex Galaxy Crossbar



### Rotation stop 180°

Yes



### Cable management

Yes



### Number of screens

2



### Load capacity

2 - 12 kg



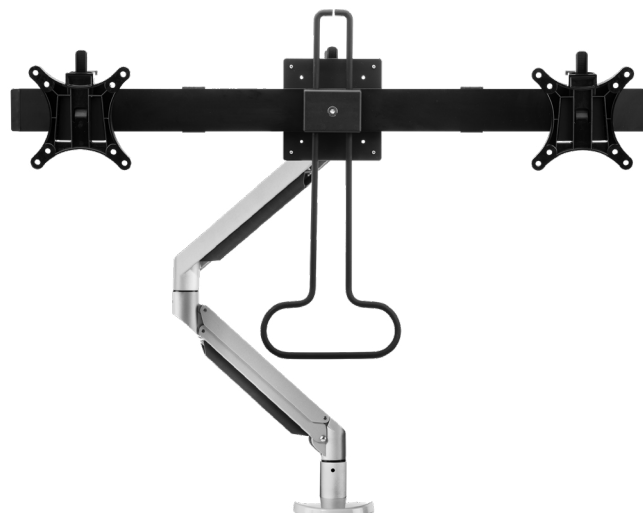
### Adjustability

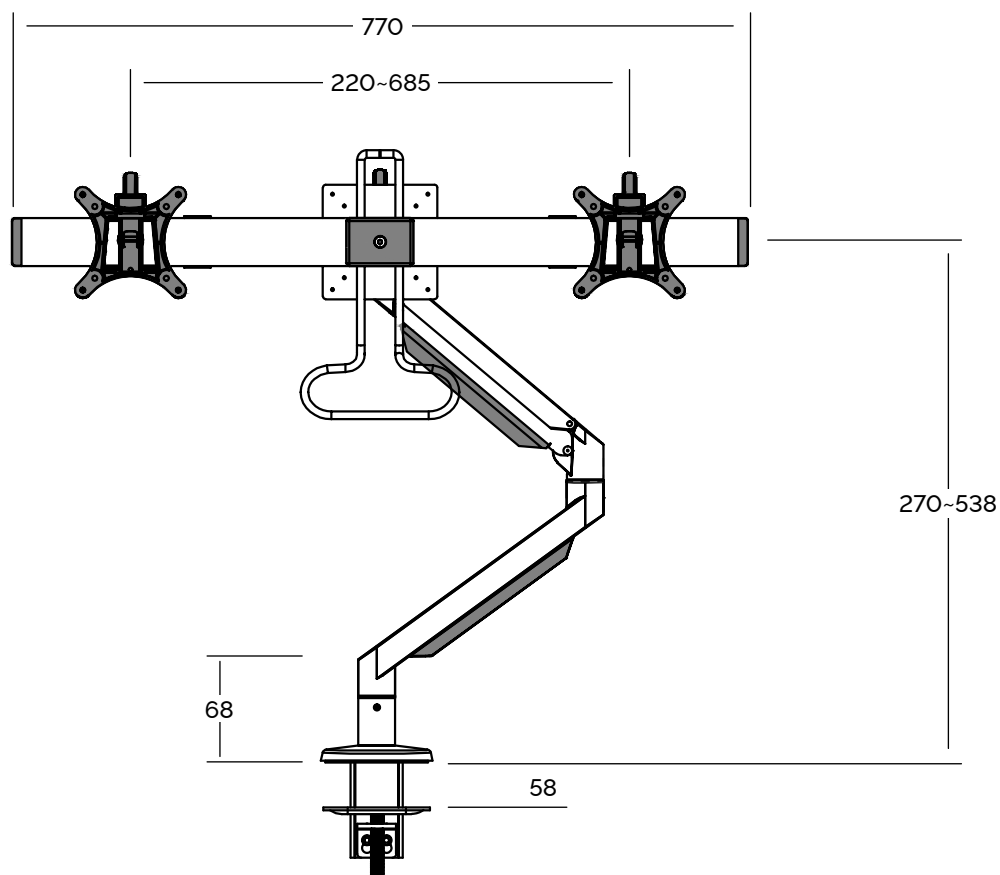
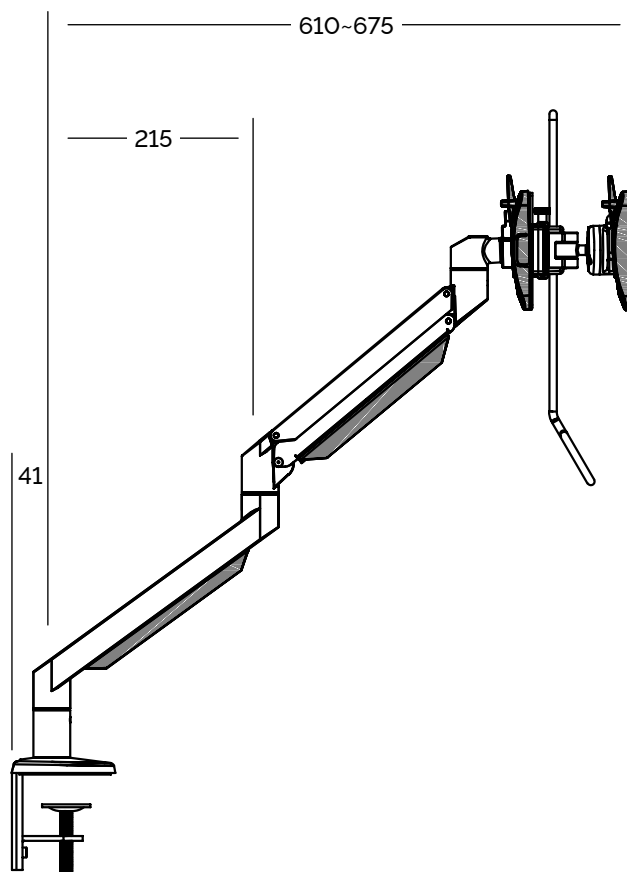
+/- 90 degrees rotation  
(landscape or portrait), 45  
degrees swivel and tilt



### Circular

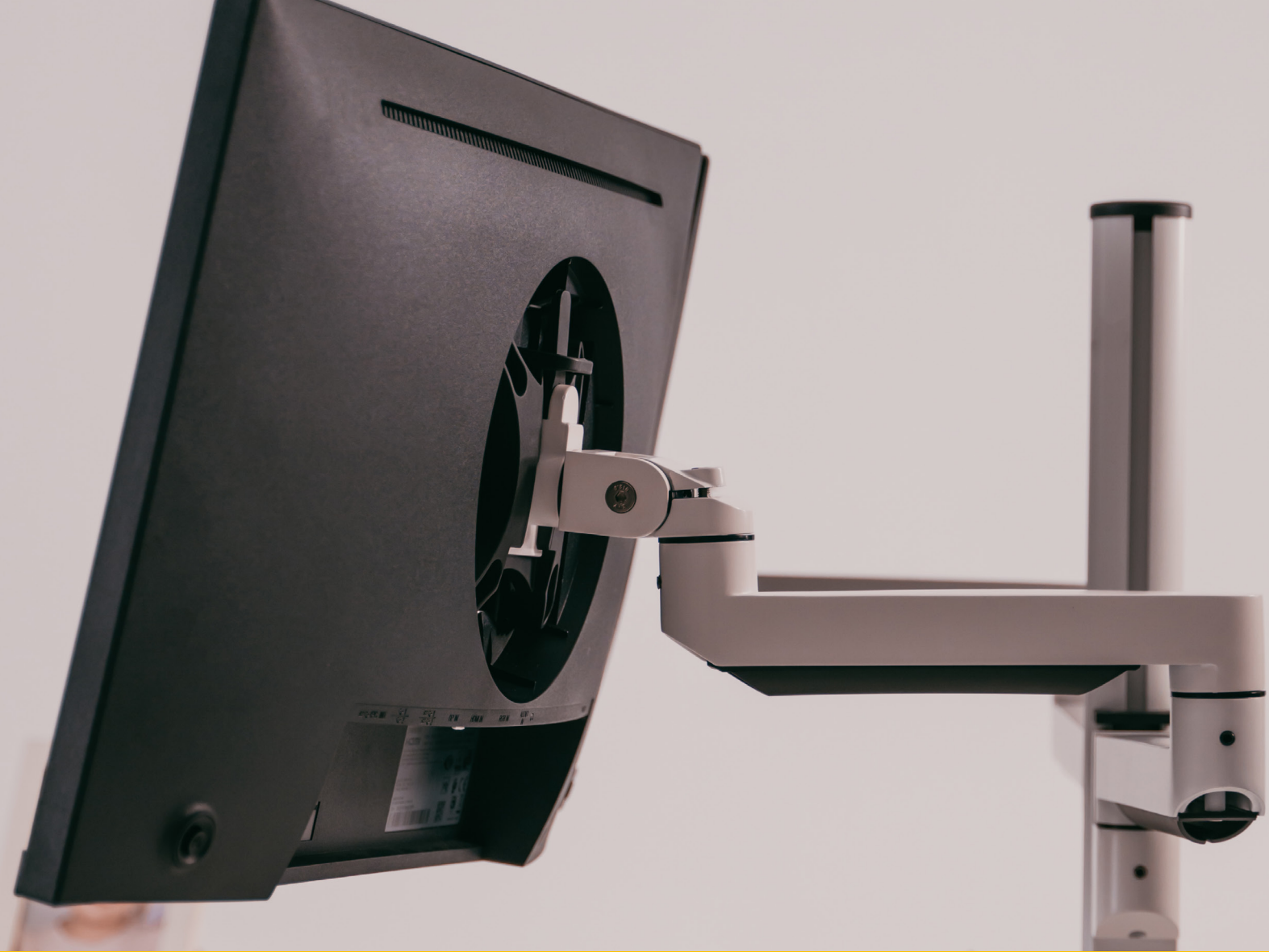
100 % recyclable and made of  
98.8% sustainable materials



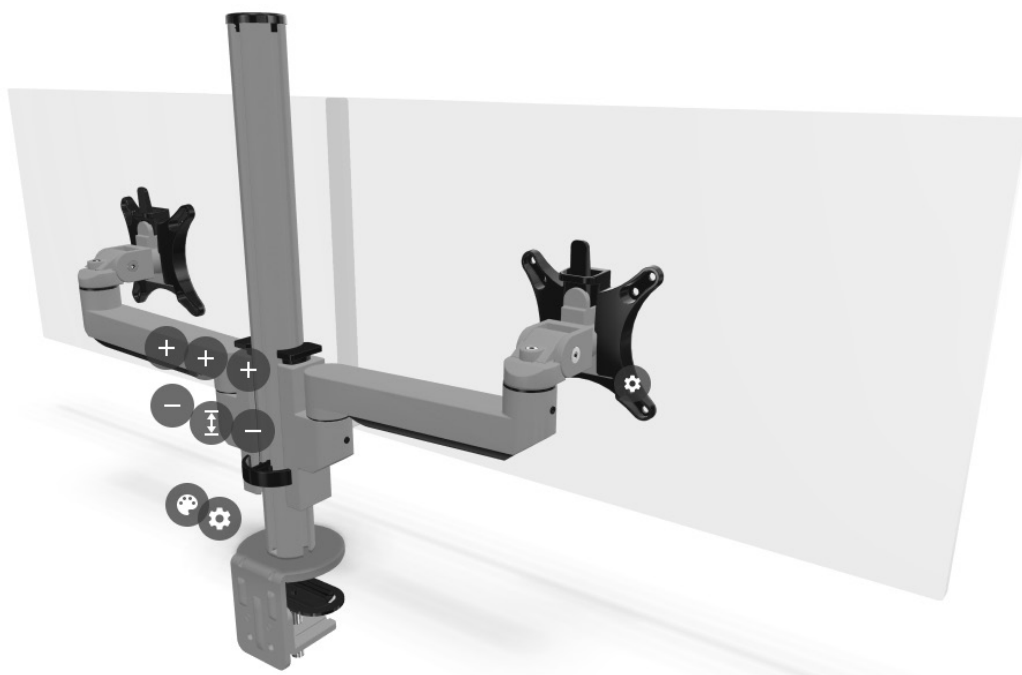


Go to the website for  
this solution

Dimensions are in mm



Configure your optimal setup!



Configure your optimal Filex Galaxy





## Electrification

Because of the technical developments when it comes to laptops, tablets and smartphones, proper electrification in your work place is essential. This ensures the right possibilities for electricity, image, sound and data. Almost all Filex electrification products are, besides being CE-certified as required, also TÜV-certified!

A TÜV certificate or TÜV label is a confirmation that a product, service, process or organisation meets the requirements set by legislation, standards and quality marks.

Filex's electrification units distinguish themselves by their simplicity and flexibility. Electrification can be divided into 3 groups:

Top mount: usually clamped onto the desktop;

Built in: integrated into the desktop;

Below mount: in the cable gutter or under the desktop.

# Recycling

## Recycling rate

Stage of reusability Score	Score	Status
Product reuse	0%	Circular
Recovery raw material	98%	Circular
Other material reuse	2%	Circular
Incineration with energy production	0%	Non-circular
Incineration without energy production	0%	Undesirable
Deposit	0%	Undesirable



Download the circular certificate here

## Inspiration

Our biggest fan, Robert, has been dreaming for years about what he wants to be when he grows up. Are you curious as to how the Filex Galaxy series can help Robert to make sure his dreams come true?



Watch our video





**Bakker  
Elkhuisen**